



America West
Drilling Supply



1350 E Glendale Ave Sparks, NV 89431 (800) 800-8444 or (775) 355-1199
sales@awds.com

Missile Explorer LX
Reverse Circulation Hammers



4 5/8" | 4 3/4" | 4 7/8"
5" | 5 1/8" | 5 1/4"

400 LX

Reverse Circulation Hammers Have Never Been Better!

These tried and proven hammers can handle the vast majority of your drilling needs while recovering 98% of your samples, something your client will love.

Preferred by geologists for their high percentage of uncontaminated samples and fast production rates.



Also available - 475LX Hammer
Hole sizes: 5 1/8", 5 1/4", 5 3/8",
5 1/2", 5 3/4", 6"



FEATURES

- Increased size of chip sample recovered
- No cross-contamination of samples
- Good characteristics under water
- Up to 98% sample recovered

400LX SPECIFICATIONS

Hole Sizes	4 5/8", 4 3/4", 4 7/8", 5", 5 1/8", 5 1/4"
Overall Length	45.5", less bit
Outside Diameter	4.4"
Weight	125 lbs.
Drill Bit Shank	400 Reverse Circulation
Wrench Flats	3.5"

AIR CONSUMPTION

150 PSI	Requires 225 CFM
200 PSI	Requires 330 CFM
250 PSI	Requires 400 CFM
300 PSI	Requires 510 CFM
350 PSI	Requires 625 CFM

The Missile reverse circulation range of hammers are in use on a wide range of drilling machines in varied geological formations.

Extreme precision engineering makes the Missile Explorer the best choice for tough applications requiring blazing fast penetration rate, accurate samples, and exceptional long-life performance.

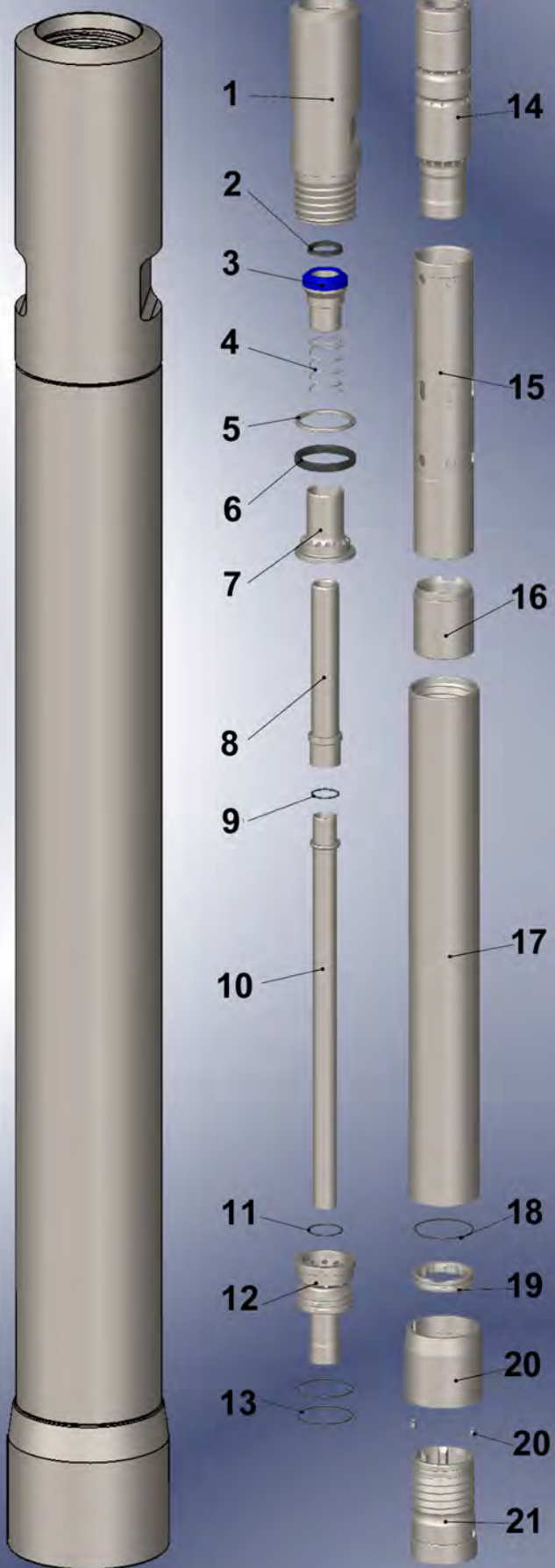


HAMMER SPECIFICATIONS

Length (w/o drill bit)	46.647"
Outside Diameter	4.449"
Weight (w/o bit)	134.1 lbs.
Cylinder Bore	3.518"
Piston O.D.	3.514"
Piston Stroke	3.346"
Piston Weight	22.52 lbs.
Hole Sizes	4 5/8" ~ 5 1/8"
Air Pressure Consumption	150 psi ~ 350 psi
Wrench Size	A/F 3.496"
Connection	Std. 3 1/2" Remet

400LX COMPONENT PARTS

No.	Description
1	Back Head
2	N.R.V. Seal
3	N.R.V. Valve
4	N.R.V. Spring
5	Make Up Steel
6	Make Up Rubber
7	N.R.V. Housing
8	Sample Tube Top
9	O-Ring
10	Sample Tube Bottom
11	Air Distributor Inner O-Ring
12	Air Distributor
13	Air Distributor Outer O-Ring (2)
14	Piston
15	Inner Sleeve Cylinder
16	Bit Bearing Bushing
17	Wear Sleeve
18	Bit Retaining Ring O-Ring
19	Bit Retaining Ring
20	Locking Shroud
20	Shroud Locking Key (2)
21	Chuck w/Lock



AIR CONSUMPTION CHART

PSI	100	150	200	250	300	350	400
cfm	-	225	330	400	510	625	-

400 LX



America West Drilling Supply
1350 E Glendale Ave Sparks, NV 89431
(800) 800-8444 or (775) 355-1199
sales@awds.com