

# America West Drilling Supply



## G-Force SD6 Shank

### Hammer Specifications

|                          |                   |
|--------------------------|-------------------|
| Length (w/o drill bit)   | 53.93"            |
| Outside Diameter         | 5.41"             |
| Weight (w/o bit)         | 219 lbs.          |
| Cylinder Bore            | 4.496"            |
| Piston O.D.              | 4.491"            |
| Piston Stroke            | 3.93"             |
| Piston Weight            | 26 lbs.           |
| Hole Sizes               | 6" - 8"           |
| Air Pressure Consumption | 100 psi - 350 psi |
| Wrench Size              | A/F 3.968"        |
| Connection (API Reg Pin) | Std. 3 1/2"       |

### Features:

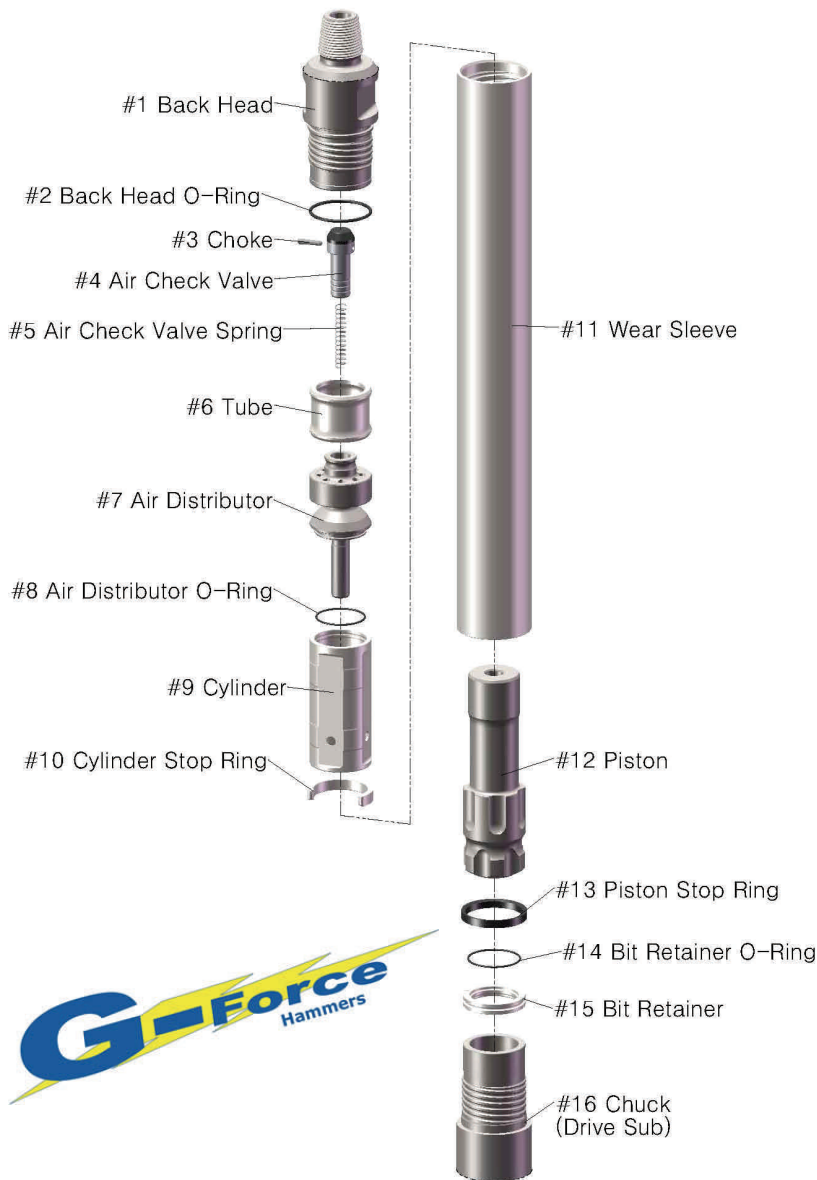
- Easy to service
- Special heat-treated alloy piston for long life - Rockwell 60 Hardness
- Minimal performance loss when injecting foam or water

1350 E. Glendale Avenue  
Sparks, NV 89431  
(800) 800-8444 | (775) 355-1199  
Fax (775) 355-8775



[www.awds.biz](http://www.awds.biz)

# America West Drilling Supply



| Item # | Description            | Part #  |
|--------|------------------------|---------|
| 1      | Back Head              | G6001   |
| 2      | Back Head O-Ring       | G6002   |
| 3      | Choke                  |         |
| 4      | Air Check Valve        | G6004   |
| 5      | Air Check Valve Spring | G6005   |
| 6      | Spacer Tube            | G6006   |
| 7      | Air Distributor        | G6007   |
| 8      | Air Distributor O-Ring | G6008   |
| 9      | Cylinder               | G6009   |
| 10     | Cylinder Stop Ring     | G6010   |
| 11     | Wear Sleeve            | G6011   |
| 12     | Piston                 | G6M6012 |
| 13     | Piston Stop Ring       | G6M6013 |
| 14     | Bit Retaining O-Ring   | G6M6014 |
| 15     | Bit Retaining Ring     | G6M6015 |
| 16     | Chuck (Drive Sub)      | G6M6016 |
|        | Choke Plug Kit         | G6029   |
|        | O-Ring Kit             | G6030   |



## G-Force SD6 Shank Hammer

### Air Consumption Chart

| PSI                  | 150 | 200 | 250 | 300   | 350   | 400   |
|----------------------|-----|-----|-----|-------|-------|-------|
| CFM with blank choke | 350 | 565 | 720 | 875   | 995   | 1,130 |
| with 1/8" choke      | 375 | 595 | 760 | 925   | 1,060 | 1,205 |
| with 1/4" choke      | 425 | 665 | 845 | 1,095 | 1,270 | 1,350 |

*All hammers come fitted with a blank choke in the Air Check Valve.*