



VS-220 HD PRO

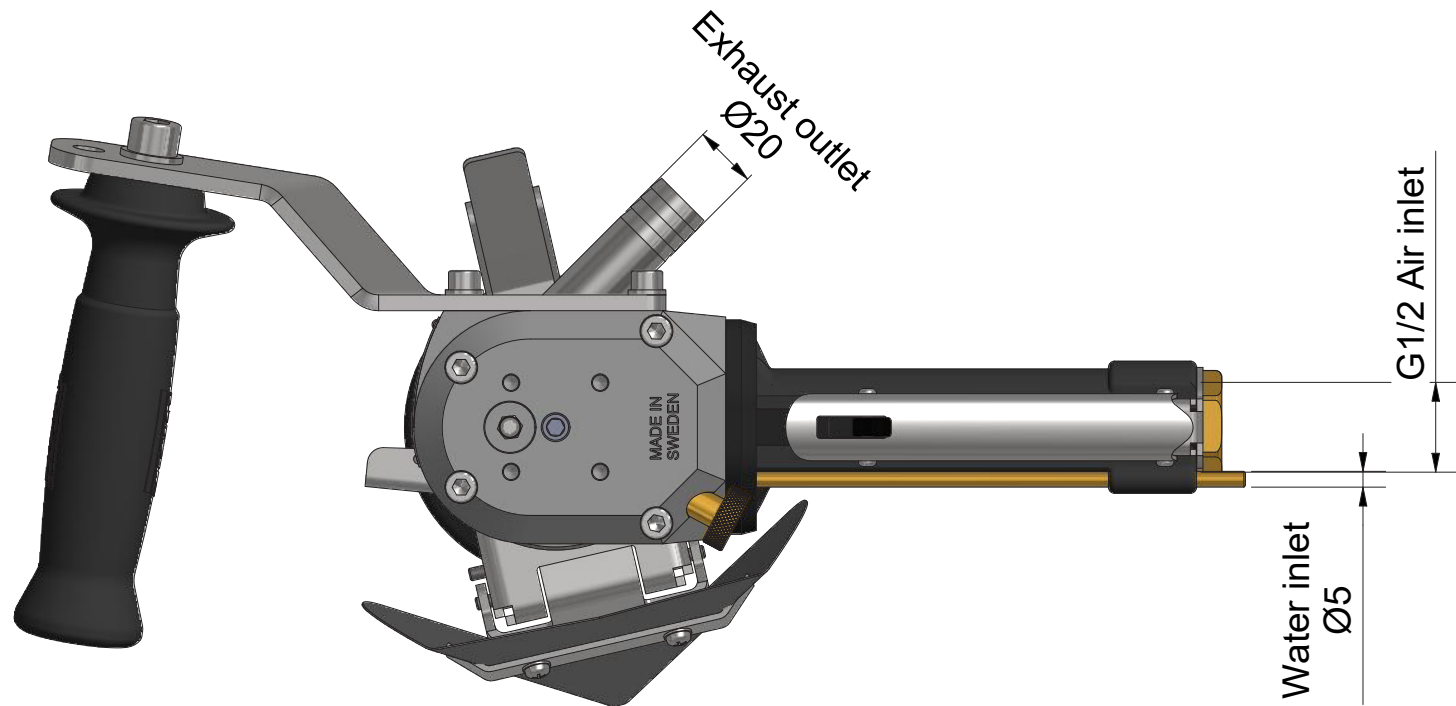
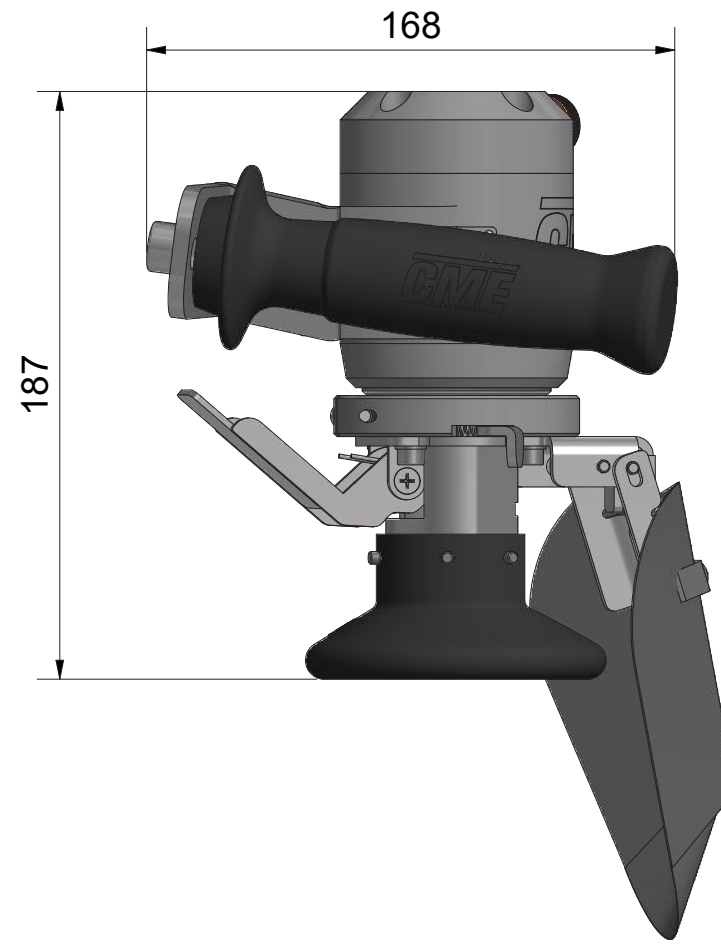
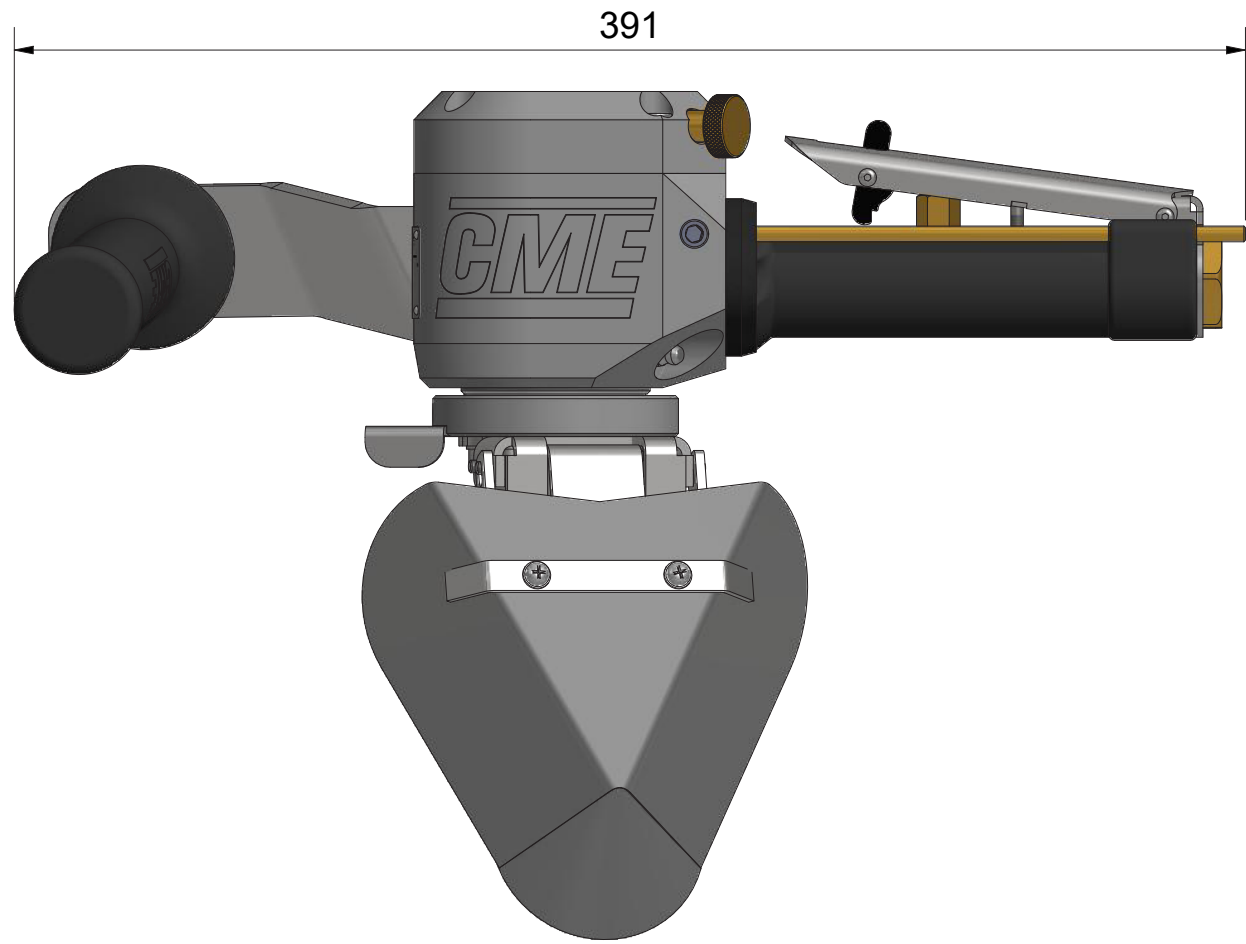


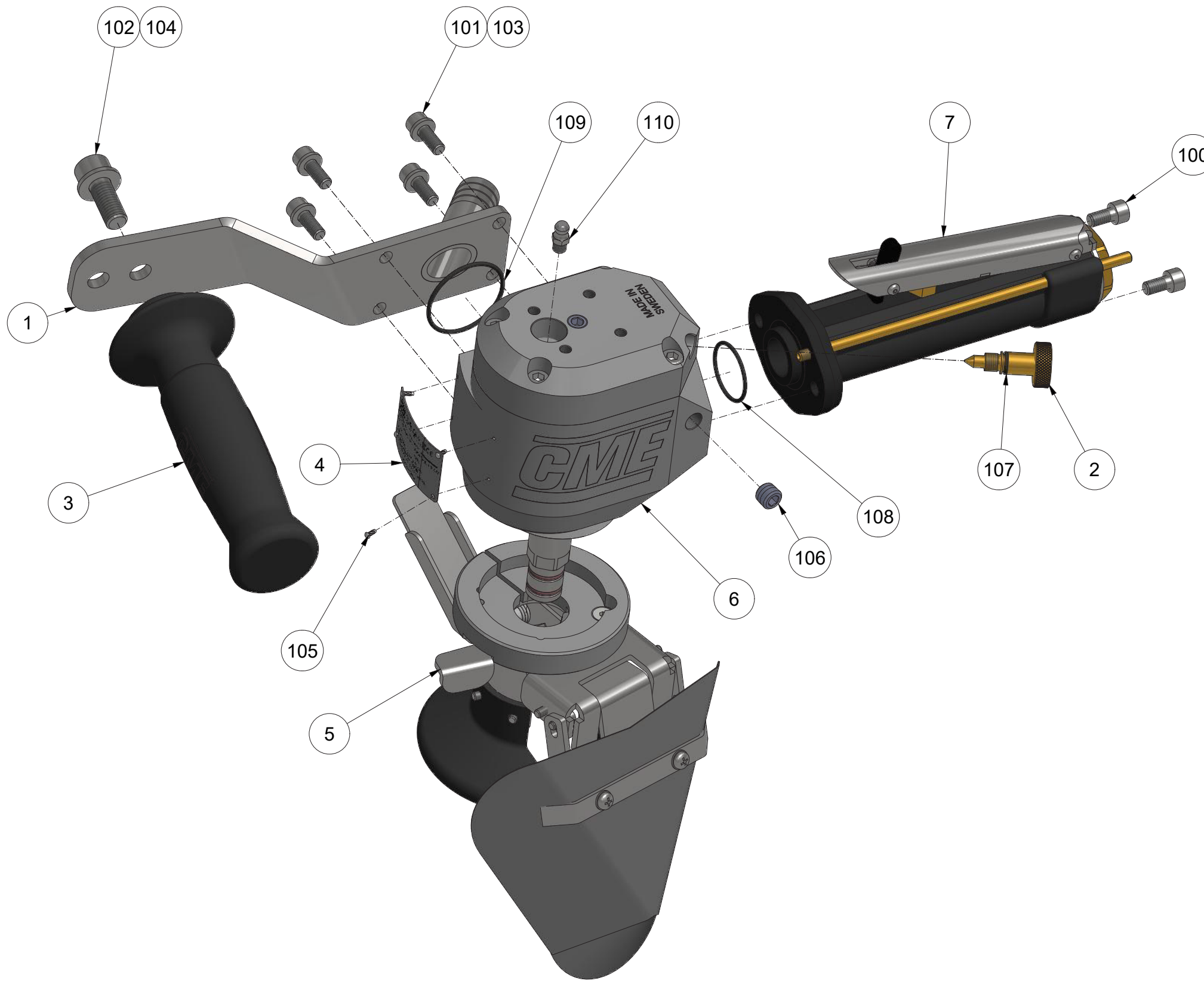
Spare parts drawing / lists

Version 1.2

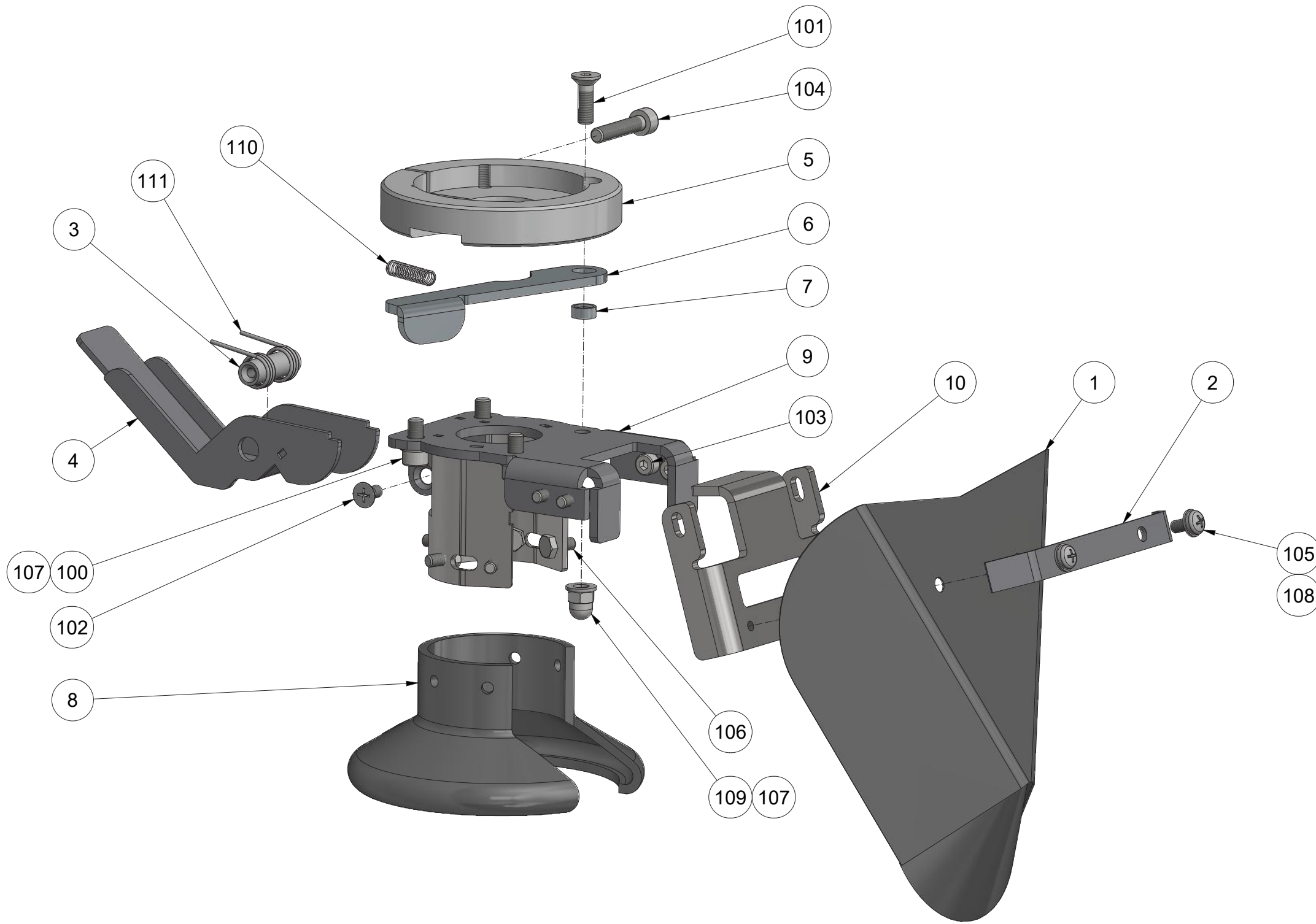
Content:

1 Machine general arrangement.....	1
2 Spare part drawings	
VS-220 HD PRO.....	2
Splash guard assembly.....	3
Engine.....	4
HD Drop-in kit.....	5
Throttle handle complete.....	6
Machine Options.....	7

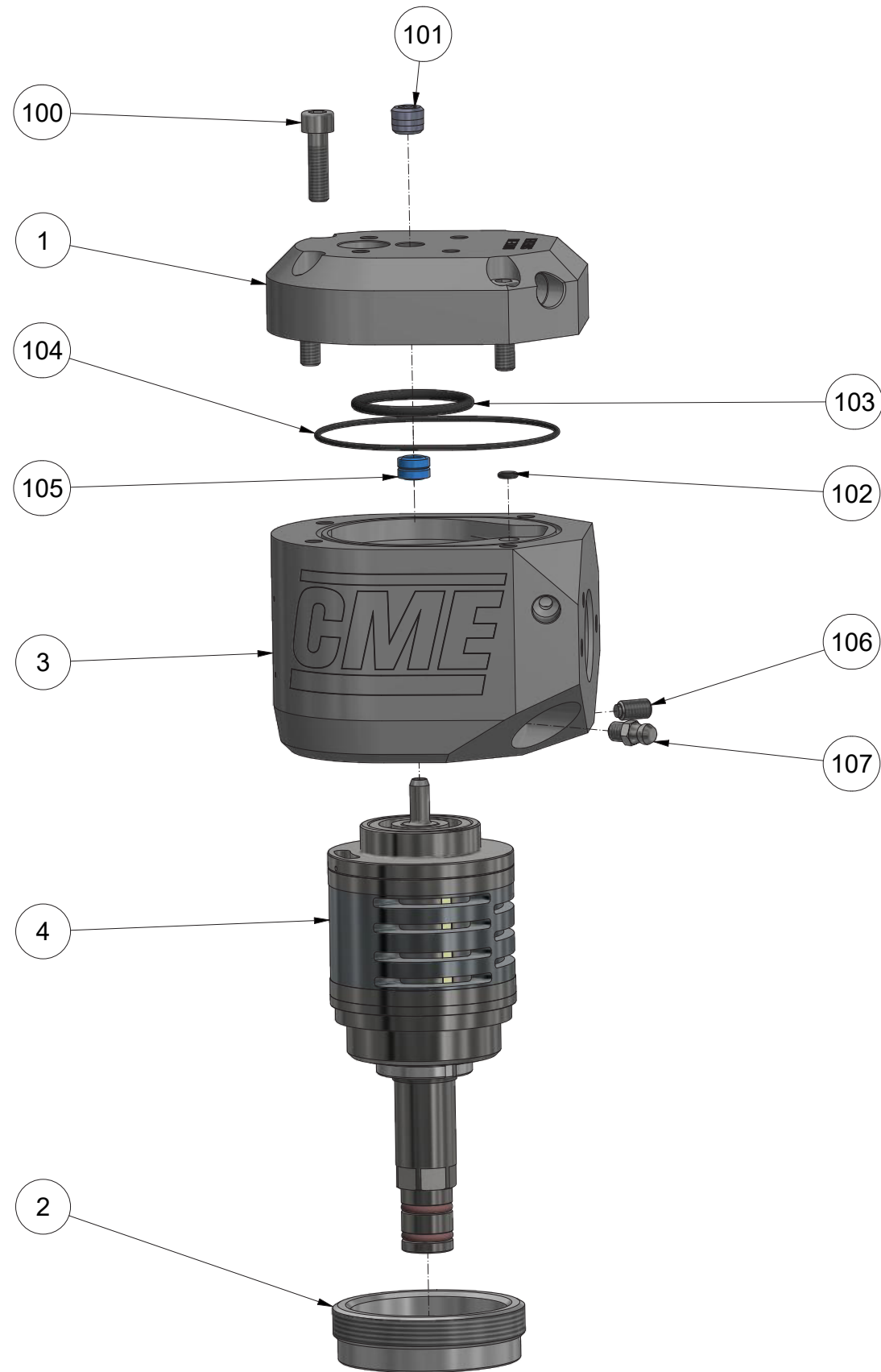




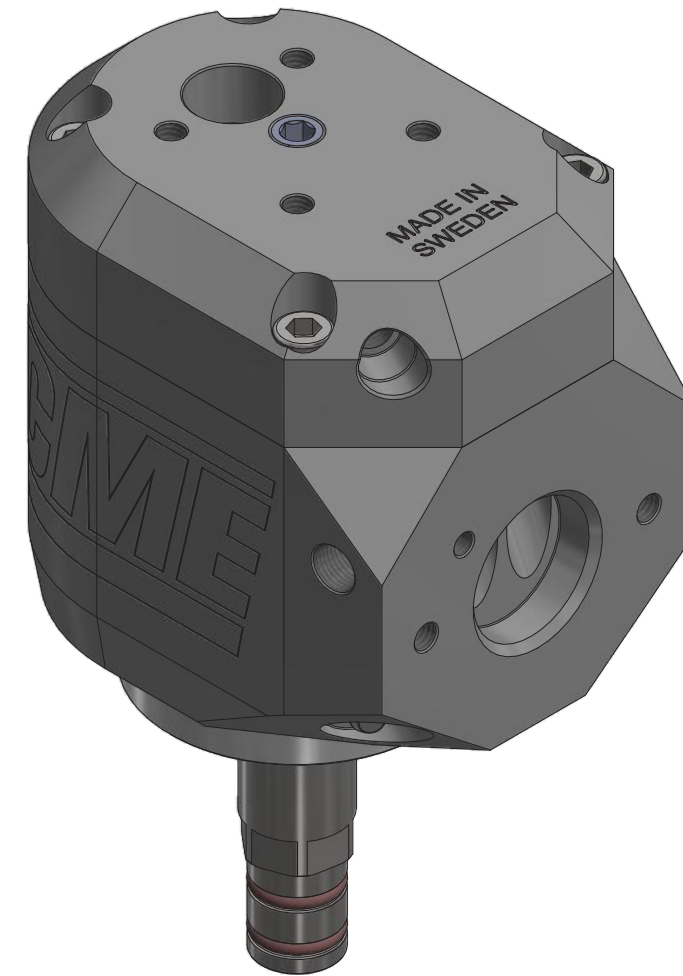
Pos	Qty	Order number	Description
1	1	201-2184-00	Exhaust plate
2	1	201-2215-00	Valve
3	1	201-2218-00	Handle
4	1	201-2301-00	Machine plate VS-220 HD PRO
5	1	202-0661-00	Splash guard assembly
6	1	202-0618-00	Engine
7	1	202-0641-00	Throttle handle complete
100	2	211-0060-12	Screw
101	4	211-0060-16	Screw
102	1	211-0100-25	Screw
103	4	213-1006-00	Washer
104	1	213-1010-00	Washer
105	4	215-0500-05	Rivet
106	1	225-6300-09	Plug
107	1	238-0071-16	O-ring
108	1	238-0251-16	O-ring
109	1	238-0360-17	O-ring
110	1	243-0000-06	Grease nipple

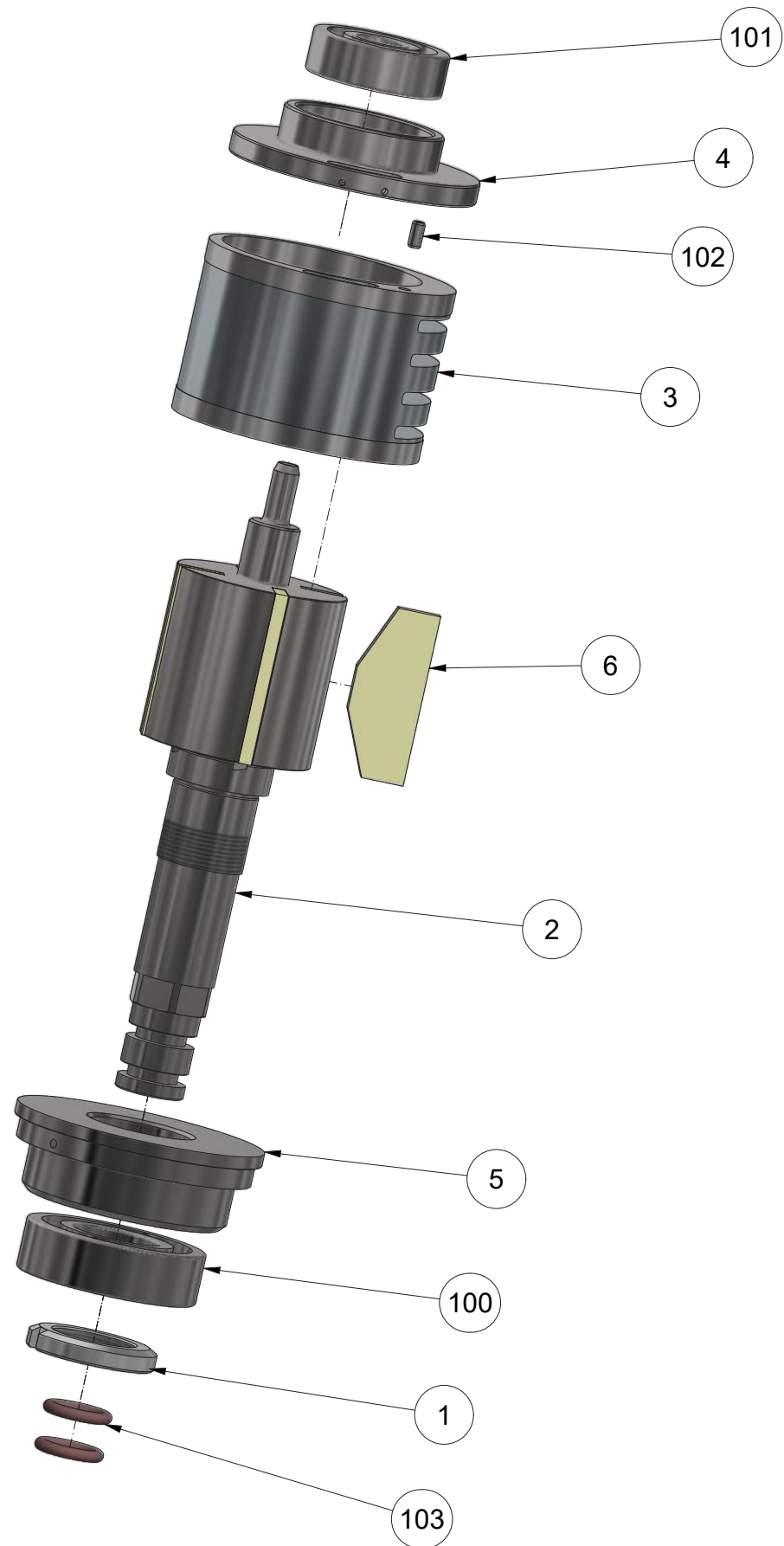


Pos	Qty	Order number	Description
1	1	201-0465-00	Splash guard
2	1	201-0468-00	Retainer
3	1	201-0501-00	Shaft
4	1	201-0908-00	Puller lever
5	1	201-1115-00	Clamp ring
6	1	201-1116-00	Lever
7	1	201-1117-00	Bushing
8	1	201-1453-00	Splash guard bellow
9	1	201-1566-00	Splash guard base
10	1	201-1567-00	Splash guard attachment
100	3	210-0050-10	Screw
101	1	210-2050-16	Screw
102	2	210-4040-08	Screw
103	4	211-0040-08	Screw
104	1	211-0050-25	Screw
105	2	211-3040-08	Screw
106	5	211-7040-08	Screw
107	4	212-0050-00	Washer
108	2	213-1924-39	Washer
109	1	214-1040-50	Hat nut
110	1	236-0023-14	Spring
111	1	236-2085-66	Turn spring

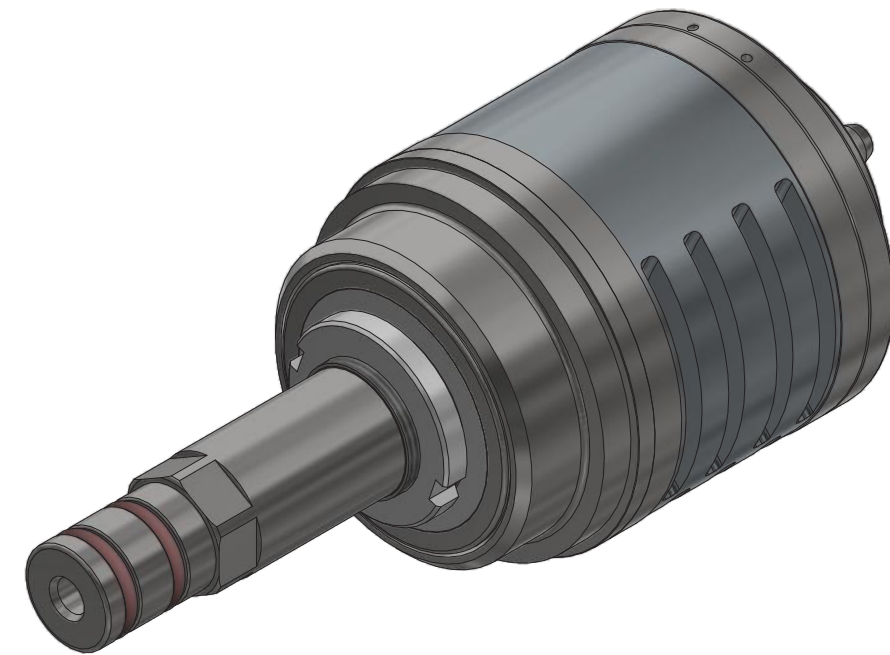


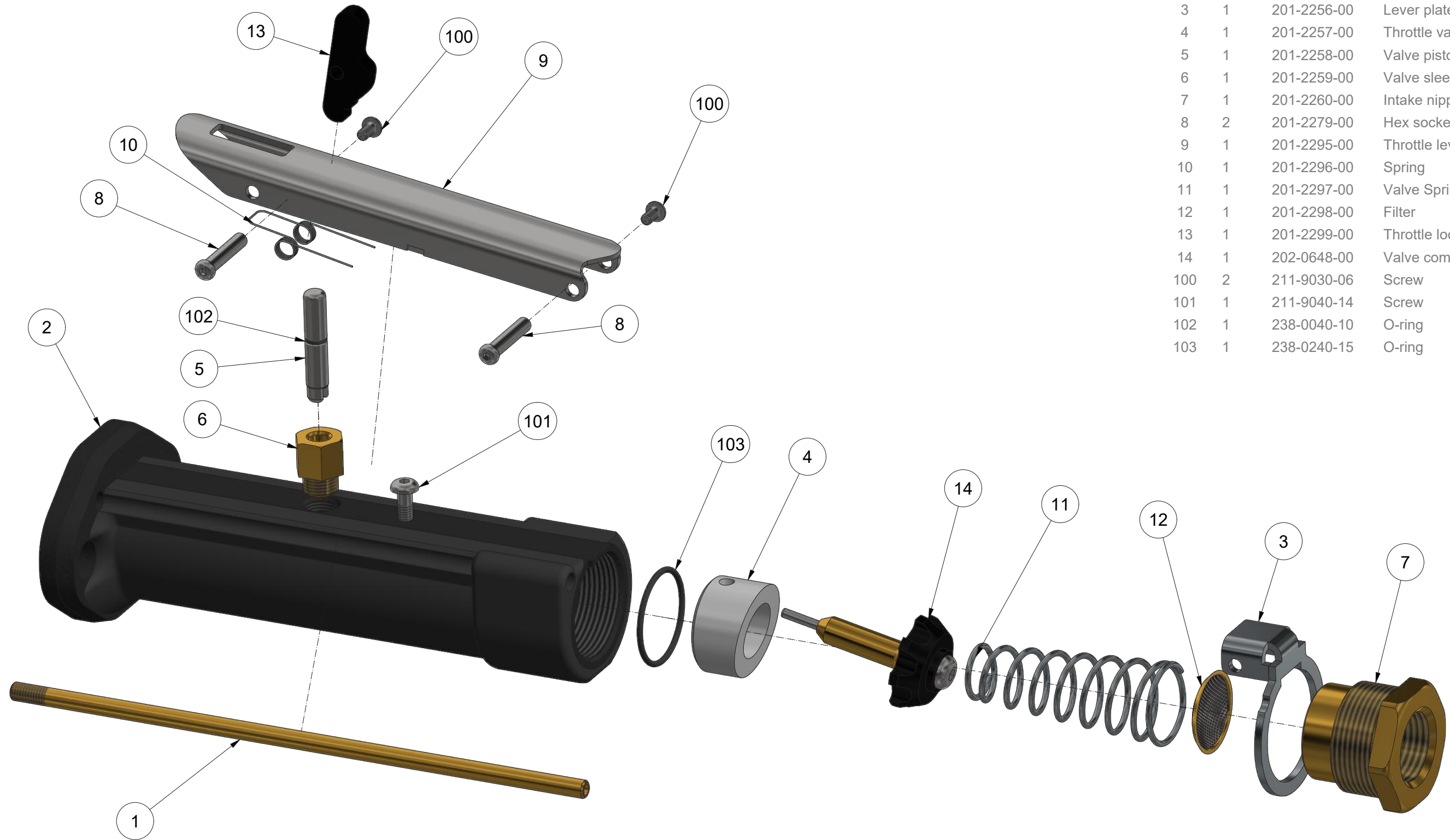
Pos	Qty	Order number	Description
1	1	201-2182-00	Cylinder Head
2	1	201-2183-00	Bearing cap
3	1	201-2224-00	Engine block
4	1	202-0632-00	HD Drop-in kit
100	4	211-0060-22	Screw
101	1	225-6300-09	Plug
102	1	238-0031-16	O-ring
103	1	238-0322-30	O-ring
104	1	238-0671-16	O-ring
105	1	238-3000-00	Sealing
106	1	241-0610-00	Set Screw
107	1	243-0000-06	Grease nipple





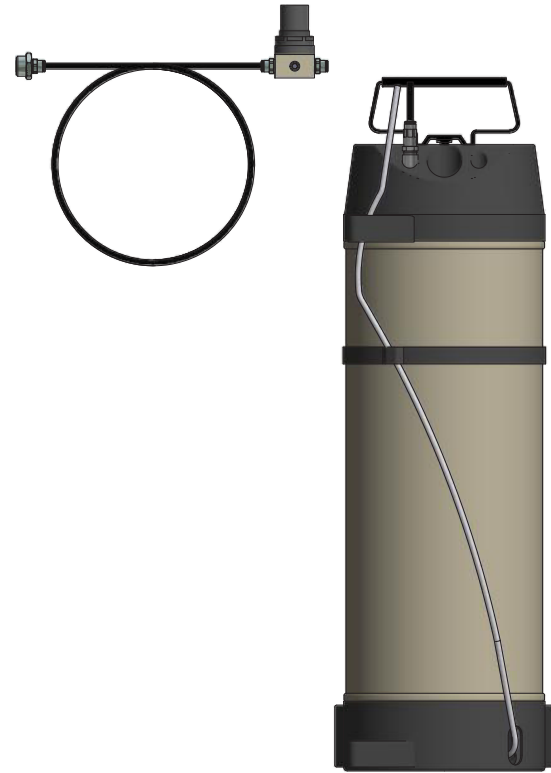
Pos	Qty	Order number	Description
1	1	201-1113-00	Locking nut
2	1	201-2180-00	Rotor VS-220HD
3	1	201-2227-00	Cylinder VS-220HD
4	1	201-2228-00	Rear end plate
5	1	201-2229-00	Front end plate
6	4	201-2230-00	Vane(s)
100	1	230-6004-09	Buttom Bearing
101	1	230-6201-09	Top Bearing
102	1	232-1030-06	Spring pin
103	2	238-1072-62	O-ring





Pos	Qty	Order number	Description
1	1	201-2186-00	Water Tube
2	1	201-2254-00	Handle
3	1	201-2256-00	Lever plate
4	1	201-2257-00	Throttle valve seat
5	1	201-2258-00	Valve piston
6	1	201-2259-00	Valve sleeve
7	1	201-2260-00	Intake nipple
8	2	201-2279-00	Hex socket rivet
9	1	201-2295-00	Throttle lever
10	1	201-2296-00	Spring
11	1	201-2297-00	Valve Spring
12	1	201-2298-00	Filter
13	1	201-2299-00	Throttle lock
14	1	202-0648-00	Valve complete
100	2	211-9030-06	Screw
101	1	211-9040-14	Screw
102	1	238-0040-10	O-ring
103	1	238-0240-15	O-ring

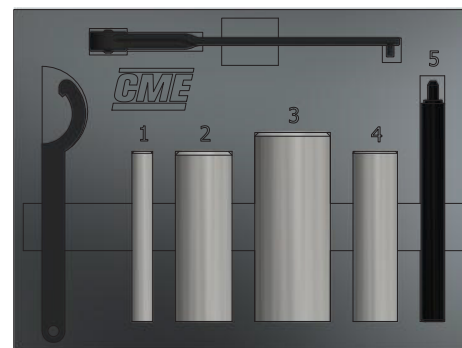
202-0112-01
Tank Hand-held grinder



202-0659-00
Filter regulator kit



202-0655-00
Toolkit VS-220 HD PRO



201-0957-00
Button bit gauge



324-0000-04
Silencer kit
3 meter hose included in kit.
Custom length available on request.

