

# America West Drilling Supply



## G-Force IR360 Shank

### Hammer Specifications

Length (w/o drill bit)	53.42"
Outside Diameter	5.41"
Weight (w/o bit)	219.7 lbs.
Cylinder Bore	4.496"
Piston O.D.	4.491"
Piston Stroke	3.93"
Piston Weight	26 lbs.
Hole Sizes	6" - 8"
Air Pressure Consumption	100 psi - 350 psi
Wrench Size	A/F 3.968"
Connection (API Reg Pin)	Std. 3 1/2"

### Features:

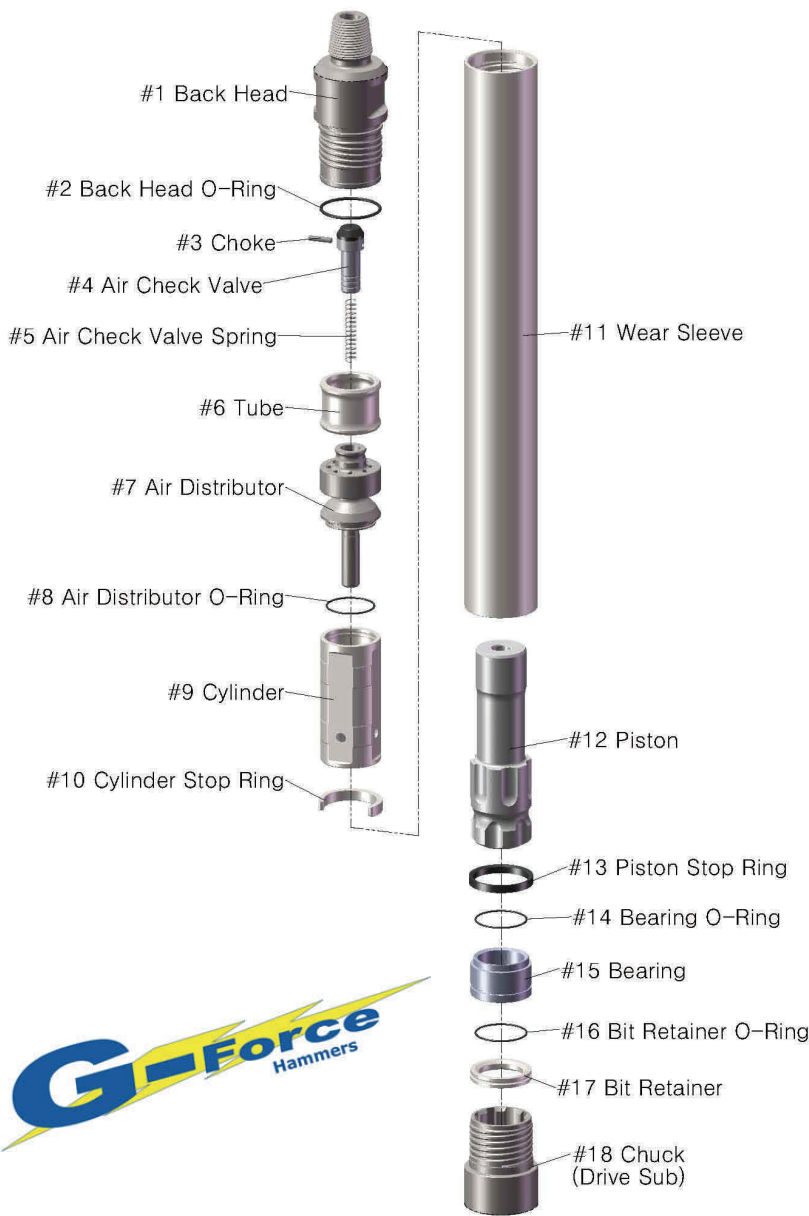
- Easy to service
- Special heat-treated alloy piston for long life - Rockwell 60 Hardness
- Minimal performance loss when injecting foam or water

1350 E. Glendale Avenue  
Sparks, NV 89431  
(800) 800-8444 | (775) 355-1199  
Fax (775) 355-8775



[www.awds.biz](http://www.awds.biz)

# America West Drilling Supply



Item #	Description	Part #
1	Back Head	G6001
2	Back Head O-Ring	G6002
3	Choke	
4	Air Check Valve	G6004
5	Air Check Valve Spring	G6005
6	Spacer Tube	G6006
7	Air Distributor	G6007
8	Air Distributor O-Ring	G6008
9	Cylinder	G6009
10	Cylinder Stop Ring	G6010
11	Wear Sleeve	G6011
12	Piston	G6R6012
13	Piston Stop Ring	G6R6013
14	Bit Bearing O-Ring	G6R6014
15	Bit Bearing	G6R6015
16	Bit Retaining O-Ring	G6R6016
17	Bit Retaining Ring	G6R6017
18	Chuck (Drive Sub)	G6R6018
	Choke Plug Kit	G6029
	O-Ring Kit	G6030



## G-Force IR360 Shank Hammer

### Air Consumption Chart

PSI	150	200	250	300	350	400
CFM with blank choke	350	565	720	875	995	1,130
with 1/8" choke	375	595	760	925	1,060	1,205
with 1/4" choke	425	665	845	1,095	1,270	1,350

*All hammers come fitted with a blank choke in the Air Check Valve.*