

America West Drilling Supply



G-Force QL50 Shank

Hammer Specifications

Length (w/o drill bit)	44.38"
Outside Diameter	4.527"
Weight (w/o bit)	126.4 lbs.
Cylinder Bore	3.465"
Piston O.D.	3.736"
Piston Stroke	3.93"
Piston Weight	26 lbs.
Hole Sizes	5" - 6 1/2"
Air Pressure Consumption	100 psi - 350 psi
Wrench Size	A/F 3.464"
Connection (API Reg Pin)	Std. 3 1/2"

Features:

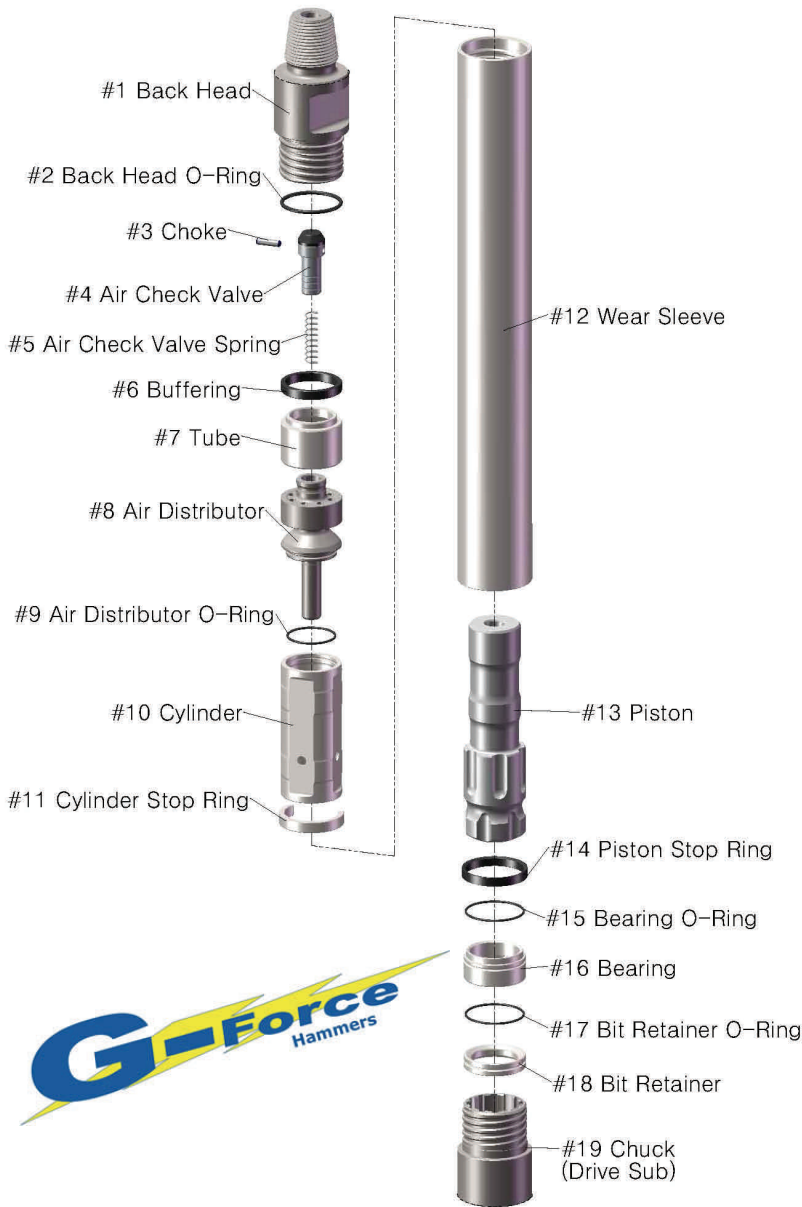
- Easy to service
- Special heat-treated alloy piston for long life - Rockwell 60 Hardness
- Minimal performance loss when injecting foam or water

1350 E. Glendale Avenue
Sparks, NV 89431
(800) 800-8444 | (775) 355-1199
Fax (775) 355-8775



www.awds.biz

America West Drilling Supply



Item #	Description	Part #
1	Back Head	G5001
2	Back Head O-Ring	G5002
3	Choke	
4	Air Check Valve	G5004
5	Air Check Valve Spring	G5005
6	Make-Up Rubber (Buffering)	G5006
7	Spacer Tube	G5007
8	Air Distributor	G5008
9	Air Distributor O-Ring	G5009
10	Cylinder	G5010
11	Cylinder Stop Ring	G5011
12	Wear Sleeve	G5012
13	Piston	G5QL5013
14	Piston Stop Ring	G5QL5014
15	Bit Bearing O-Ring	G5QL5015
16	Bit Bearing	G5QL5016
17	Bit Retaining O-Ring	G5QL5017
18	Bit Retaining Ring	G5QL5018
19	Chuck (Drive Sub)	G5QL5019
	Choke Plug Kit	G5029
	O-Ring Kit	G5030

G-Force QL50 Shank Hammer

Air Consumption Chart						
PSI	150	200	250	300	350	400
CFM with blank choke	280	400	520	660	800	-
with 1/8" choke	375	595	760	925	1,060	1,205
with 1/4" choke	425	665	845	1,095	1,270	1,350

All hammers come fitted with a blank choke in the Air Check Valve.