

America West Drilling Supply



G-Force QL80 Shank

Hammer Specifications

Length (w/o drill bit)	53.5"
Outside Diameter	7.08"
Weight (w/o bit)	366.7 lbs.
Cylinder Bore	5.984"
Piston O.D.	5.98"
Piston Stroke	4.13"
Piston Weight	95.8 lbs.
Hole Sizes	7 7/8" - 10"
Air Pressure Consumption	100 psi - 350 psi
Wrench Size	A/F 5.512"
Connection (API Reg Pin)	Std. 4 1/2"

Features:

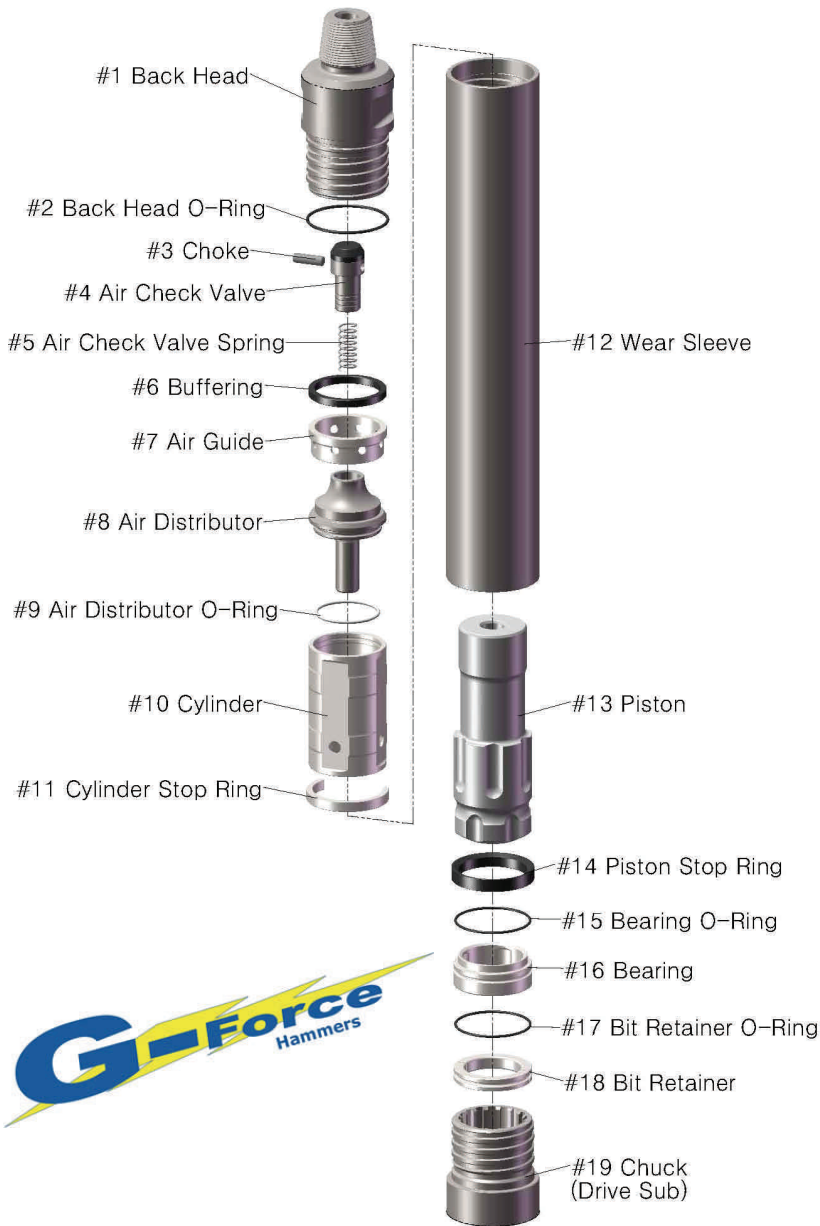
- Easy to service
- Special heat-treated alloy piston for long life - Rockwell 60 Hardness
- Minimal performance loss when injecting foam or water

1350 E. Glendale Avenue
Sparks, NV 89431
(800) 800-8444 | (775) 355-1199
Fax (775) 355-8775



www.awds.biz

America West Drilling Supply



Item #	Description	Part #
1	Back Head	G8001
2	Back Head O-Ring	G8002
3	Choke	
4	Air Check Valve	G8004
5	Air Check Valve Spring	G8005
6	Make-Up Rubber (Buffering)	G8006
7	Air Guide	G8007
8	Air Distributor	G8008
9	Air Distributor O-Ring	G8009
10	Cylinder	G8010
11	Cylinder Stop Ring	G8011
12	Wear Sleeve	G8QL8012
13	Piston	G8QL8013
14	Piston Stop Ring	G8QL8014
15	Bit Bearing O-Ring	G8QL8015
16	Bit Bearing	G8QL8016
17	Bit Retaining O-Ring	G8QL8017
18	Bit Retaining Ring	G8QL8018
19	Chuck (Drive Sub)	G8QL8019
	Choke Plug Kit	G8029
	O-Ring Kit	G8030



G-Force QL80 Shank Hammer

Air Consumption Chart						
PSI	150	200	250	300	350	400
CFM with blank choke	450	530	850	1,080	1,320	1,500
with 1/8" choke	375	595	760	925	1,060	1,205
with 1/4" choke	425	665	845	1,095	1,270	1,350

All hammers come fitted with a blank choke in the Air Check Valve.