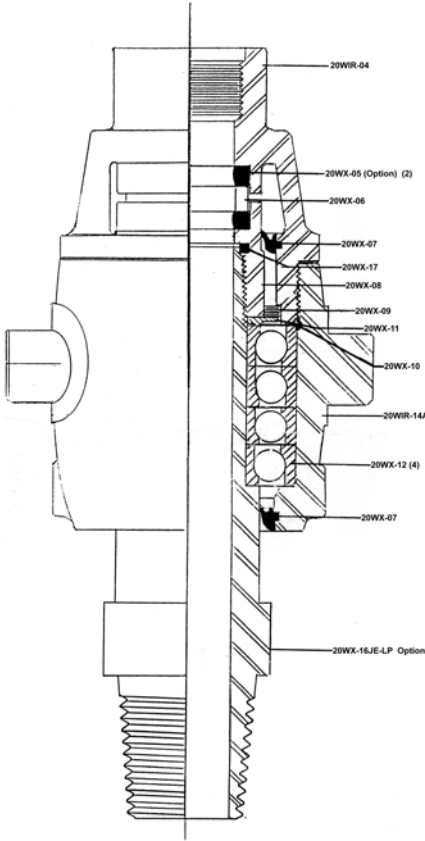




20WIR SWIVEL



- For the TH-55 and TH-60 drills
- Alloy steel construction for strength and durability
- For MUD and AIR drilling
- Trunnion pins to 2"
- Thrust ball bearings for supporting pipe load and radial load
- Designed for easy service and field maintenance
- Equal hoisting and pull down load capacity
- Longer Spindle available

TECHNICAL

MODEL #	PACKING	LENGTH OVERALL	WT/LBS EACH	HOSE CONN. FEMALE	LOWER CONN.*	WATER PRESSURE	WORKING OPENING
20WIR	FIXED	20-1/2"	116	3" NPT	3-1/2" IF LH	2-1/2"	To 300 PSI
		37-1/2"	155	3" NPT	3-1/2" IF LH (LONG)	2-1/2"	To 300 PSI

SAFE WEIGHT LOADS

MODEL #	STATIC LOAD	ROTATING LOAD	DRILL DEPTH	SIZE/WT/FT
20WIR	40,000 LBS.	27,000 LBS. @ 100 RPM	1,800 FT	2-7/8" / 10.4 LBS
			1,400 FT	3-1/2" / 13.3 LBS

PARTS LIST

PART NO.	DESCRIPTION	QTY. REQ.	
20WIR-3200-XX	WESTERN SWIVEL, 3" NPT FEMALE HOSE CONNECTION STRAIGHT UP, 2" OD TRUNNION PINS ON 7 1/2" SHOULDER, WITH 3 1/2" IF LH PIN LOWER CONNECTION		
	ADD FOR LONG 3 1/2" IF LH PIN LOWER CONNECTION		CONSULT
20WIR-04	GOOSENECK, 3" NPT FEMALE HOSE CONNECTION	1	
20WX-05	+ PACKING	2	
20WX-05-90	PACKING, 90 DURO (HIGH PRESSURE)	Option	
20WX-05V	PACKING VITON	Option	
20WX-06	+ WEARBUSHING	1	
20WX-07	+ HOUSING SEAL	2	
20WX-07V	HOUSING SEAL, VITON	Option	
20WX-08	SPINDLE NUT	1	
20WX-09	+ SHIELD SEAL	1	
20WX-10	+ BEARING SHIELD	1	
20WX-11	BEARING RETAINER WIRE	1	
20WX-12	+ BEARINGS	4	
20WIR-14A	BEARING HOUSING WITH PINS, 2" OD, 7 1/2" SHOULDERS	1	
15WX-15	LOCK SCREW AND NUT, BEARING HOUSING	1	
20WX-16JE-LP	LOWER CONNECTION, 3 1/2" IF LH PIN	1	
20WX-16XJE-LP	LOWER CONNECTION, LONG 3 1/2" IF LH PIN	Option	
20WX-17	+ SPINDLE THREAD SEAL	1	
20WX-40	MAINTENANCE KIT (8) 20WX-05, (1) 20WX-06		
20WX-40R	REPAIR KIT + Included in Repair Kit		

Other sizes of connections available, please consult factory.

Option for above swivel, may affect pricing of complete swivel. Other options available, please consult factory.

