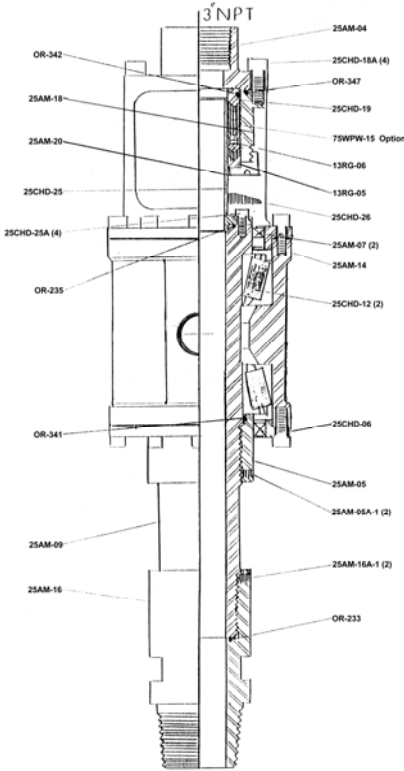




25AM



- Adjustable Chevron packing
- 2 ½ Fluid Passage
- For Pulldown Rigs
- Adjustable Packing
- Grease Lubricated Packing & Bearing
- Adjustable tapered roller bearings
- Bolt in packing capsule (Quick Change)

TECHNICAL

LENGTH	WIDTH	WEIGHT	HOSE CONN.	LOWER CONN.	FLUID PASSAGE	WORKING PRESSURE
	9 1/8		3" NPT	3 ½" IF	2 ½"	TO 1500 PSI

WEIGHT CAPACITY

STATIC	ROTATING
60,000 LBS	28,000 LBS @ 100 RPM

PARTS LIST

PART NUMBER	NAME	QTY. REQ.	
25AM-8010-XX	SWIVEL, HIGH PRESSURE WITH ADJUSTABLE PACKING, 3" HOSE CONNECTION WITH 2" OD PINS ON 9 1/8" SHOULDERS WITH 3 ½" IF LH PIN LOWER CONNECTION		
13RG-05	PACKING SEAT RING	1	
13RG-06	LANTERN RING	1	
25AM-18	PACKING BOX	1	
25AM-20	PACKING ADJUSTING GLAND	1	
25AM-04	BONNET 3" NPT HOSE STRAIGHT UP	1	
25AM-05	BEARING NUT	1	
25AM-05A-1	SET SCREWS, ADJUSTING NUT	2	
25CHD-06	LOWER SEAL BOX	1	
25AM-07	HOUSING SEAL	2	
25CHD-26	MUD SLINGER	1	
25AM-09	BEARING SPINDLE	1	
25CHD-12	BEARINGS (CUP AND CONE)	2	
25AM-16	LOWER SUB, 3 ½" IF LH PIN	1	
25AM-16A-1	SET SCREWS, LOWER SUB	2	
25CHD-19	PACKING GLAND	1	
25CHD-25	WASHPIPE	1	
25CHD-25A	CAP SCREWS, WASHPIPE	4	
OR-233	O RING (SPINDLE THREAD SEAL)	1	
OR-235	O RING (WASHPIPE)	1	
OR-341	O RING (BEARING ADJUSTING NUT)	1	
OR-342	O RING (PACKING GLAND)	1	
OR-347	O RING (PACKING BOX)	1	
25DM-14	BEARING HOUSING, 2" OD PINS ON 9 1/8" SHOULDERS	1	
75WPW-15	PACKING SET	1	
75WPW-15-416	PACKING SET (LOW PRESSURE)	Option	

Other sizes of connections available, please consult factory.

Option for above swivel, may affect pricing of complete swivel. Other options available, please consult factory.

