



2JW Swivel



- For all types of drilling requiring a small light weight swivel
- Alloy steel BAIL, SPINDLE, and LOWER CONNECTION
- High thrust ball bearings in a grease lubricated sealed housing
- Simple design allows quick packing replacement and easy field repairs.
- Available with several different hose connections.
- Special lower connections available upon request.

TECHNICAL DATA

MODEL	LENGTH	WT/LB ALUM. IRON	HOSE CONN. NPT	LOWER CONN* LH OR RH NPT	WATER COURSE	WORKING PRESSURE
2JW	16"	14.0 21.0	1-1/2" FEMALE 2" MALE	1-1/2" OR 2"	1-1/2"	300 PSI

CAPACITIES & SAFE DRILL DEPTHS

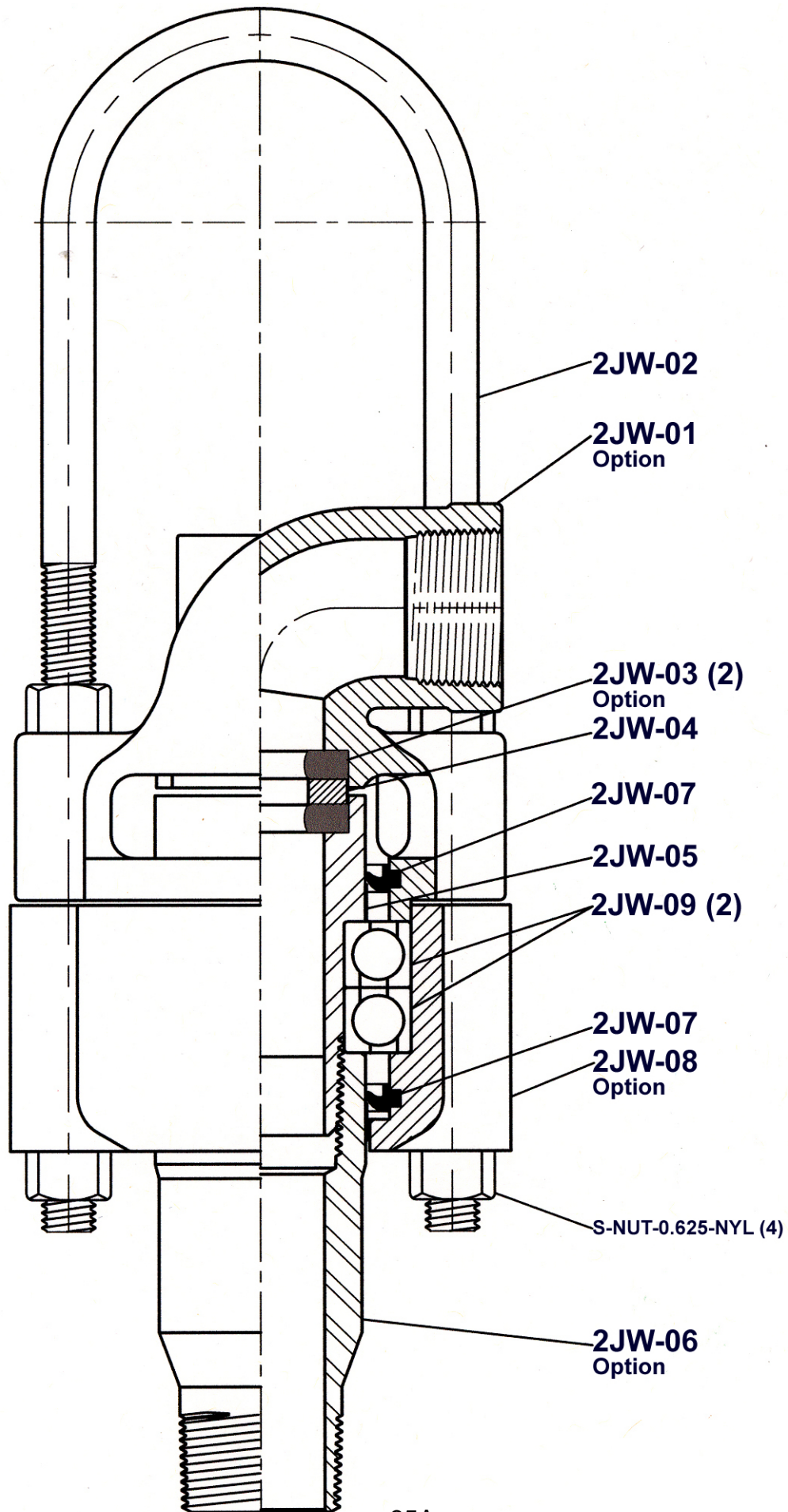
MODEL	STATIC LOAD	DRILL DEPTH	DRILL PIPE SIZE
2JW	7,000 LBS.	500 FT. @ 100 RPM	2" STANDARD PIPE

PARTS LIST

PART NUMBER	NAME	WT/LBS	QTY. REQ.	
2JW-2020-XX	SWIVEL, IRON OR ALUM., 1 1/2" FEMALE OR 2" MALE NPT HOSE CONNECTION, WITH 1 1/2" OR 2" NPT RIGHT OR LEFT PIN LOWER CONNECTION			
	ADD FOR SPECIAL LOWER CONNECTION			
2JW-01D	IRON GOOSENECK, 1 1/2" FEMALE	5.62	1	
2JW-01E	IRON GOOSENECK, 2" MALE	5.62	Option	
2JW-01AD	ALUM. GOOSENECK, 1 1/2" NPT FEMALE	2.09	Option	
2JW-01AE	ALUM. GOOSENECK, 2" MALE	2.09	Option	
2JW-02	BAIL WITH NUTS	2.10	1	
2JW-03	+ PACKING	.04	2	
2JW-03-90	PACKING, 90 DURO	.04	Option	
2JW-03V	PACKING, VITON	.04	Option	
2JW-04	+ WEARBUSHING	.25	1	
2JW-05	BEARING SPINDLE	2.00	1	
2JW-06DA-RP	LOWER CONNECTION, 1 1/2" NPT RH PIN	2.50	Option	
2JW-06DA-LP	LOWER CONNECTION, 1 1/2" NPT LH PIN	2.50	Option	
2JW-06EA-RP	LOWER CONNECTION, 2" NPT RH PIN	2.50	Option	
2JW-06EA-LP	LOWER CONNECTION, 2" NPT LH PIN	2.50	1	
2JW-06YN3-RP	LOWER CONNECTION, N ROD RH PIN, 3 THREAD	4.75	Option	
2JW-06YNW-RP	LOWER CONNECTION, NW ROD RH PIN	4.75	Option	
2JW-07	+ HOUSING SEAL	.06	2	
2JW-07V	HOUSING SEAL, VITON	.06	Option	
2JW-08A	ALUM. BEARING HOUSING	2.00	Option	
2JW-08B	IRON, BEARING HOUSING	5.50	1	
2JW-09	+ BEARING	2.25	2	
2JW-40	MAINTENANCE KIT: (8) 2JW-03; (1) 2JW-04			
2JW-40R	REPAIR KIT + Included in Repair Kit			

Other sizes of connections available, please consult factory.

Option for above swivel, may affect pricing of complete swivel. Other options available, please consult factory.



35A