

30PG Uses Only
Four (4) Bearings

30PG SWIVEL

- For DEEP WATER WELL, WORKOVER, and SHALLOW OIL WELL Drilling
- Hardened ground WASHPIPE and CHEVRON (V-Ring) PACKING, grease lubricated
- Oversized WATERCOURSE, 3" ID
- Flexible BAIL or ELEVATOR SHANK available
- Adjustable Packing
- Packing can be changed quickly without disassembling swivel.
- Thrust ball bearings support drill pipe load while providing radial capacity.
- Seal Bearing Case with grease lubrication
- TRUNNION PINS available for pull down rigs
- Large choice of optional Lower Connections Threads
- Designed for easy field service and maintenance

TECHNICAL

MODEL #	LENGTH OVERALL	WT/LBS EACH	HOSE CONN. FEMALE	LOWER CONN* PIN	WATER COURSE	WORKING PRESSURE	BAIL OPENING
30PG	45"	225	3" NPT	4-1/2" OD 8-V LH	MAX. 3" ID	To 1500 PSI	5" X 8"

SAFE WEIGHT LOADS

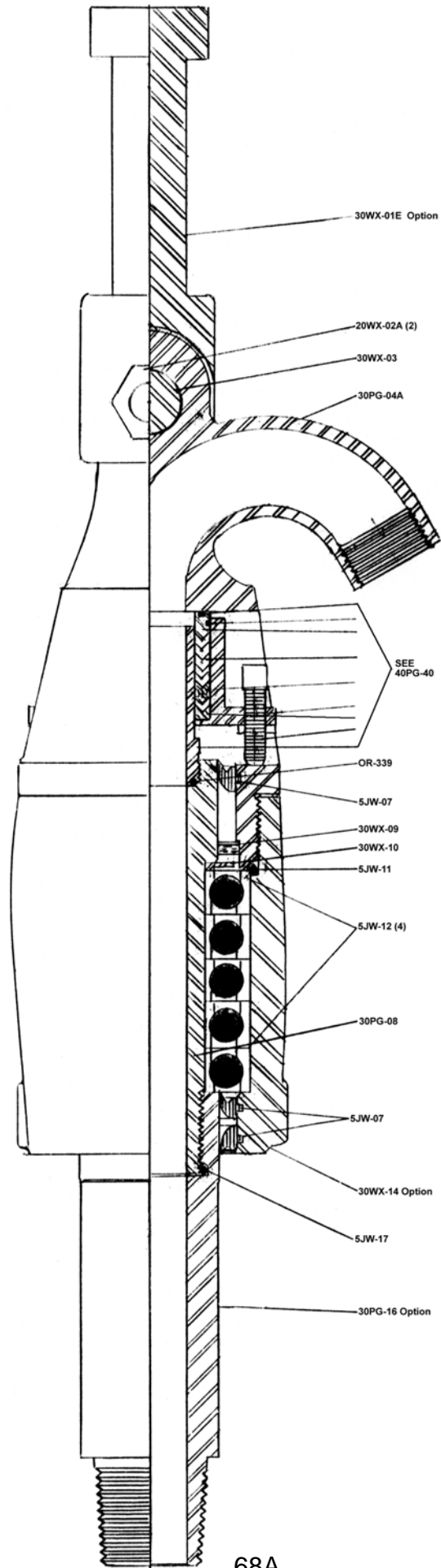
MODEL #	STATIC LOAD	ROTATING LOAD	SAFE DEPTH			
			2-3/8", 6.65	2-7/8", 10.4	3-1/2", 13.3	4-1/2", 16.6
30PG	95,000 LBS.	60,000 LBS. @ 100 RPM	6,400 FT	4,000 FT	3,400 FT	2,600 FT

PARTS LIST

PART NUMBER	NAME	QTY. REQ.	
30PG-6500-XX	WESTERN SWIVEL, LESS BAIL OR ELEVATOR SHANK, 3" NPT FEMALE HOSE CONNECTION, WITH 4 1/2" OD 8V LH PIN LOWER CONNECTION		
	ADD FOR BAIL		
	ADD FOR ELEVATOR SHANK (3 1/2" OD OR SMALLER)		
	ADD FOR PULLDOWN TRUNNION PINS		
	ADD FOR "SPECIAL LOWER CONNECTION		
30WX-01	BAIL	Option	
30WX-01E	ELEVATOR SHANK (3 1/2" OD OR SMALLER)	Option	
30WX-02	BAIL PIN	1	
20WX-02A	BAIL PIN NUT	2	
30PG-04A	GOOSENECK, 3" NPT FEMALE HOSE	1	
5JW-07	HOUSING SEAL	2	
30PG-08	BEARING SPINDLE	1	
30WX-09	SHIELD SEAL	1	
30WX-10	BEARING SHIELD	1	
5JW-11	BEARING RETAINER WIRE	1	
5JW-12	BEARING	4	
30WX-14	BEARING HOUSING	1	
30WX-14A	BEARING HOUSING W/PINS, 2" OD on 8 15/16" SHOULDERS	Option	
15WX-15	HOUSING BOLT AND NUT	1	
30PG-16KD-LP	LOWER CONNECTION, 4 1/2" OD 8V LH PIN	1	
30PG-16JG-LP	LOWER CONNECTION, 3 1/2" FULL HOLE LH PIN	Option	
5JW-17	SPINDLE THREAD SEAL	1	
40PG-40	PACKING CAPSULE	1	

Other sizes of connections available, please consult factory.

Option for above swivel, may affect pricing of complete swivel. Other options available, please consult factory.



68A