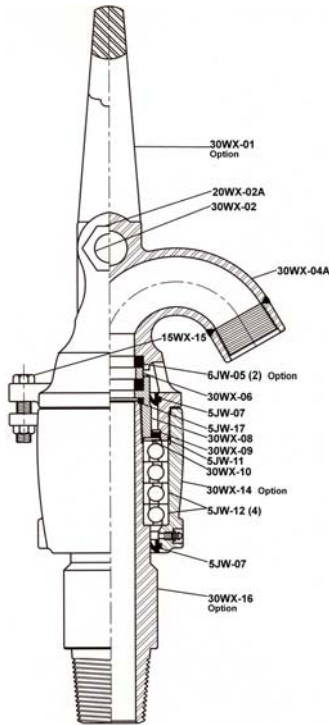




30 WX

- For WATER, GEOPHYSICAL, and MONITORING well drilling
- Light Weight
- Alloy Steel construction for strength
- Large Watercourse
- For Pulldown or Kelly Bar machines
- Flexible BAIL or ELEVATOR SHANK available
- Thrust ball bearings support drill pipe load while providing radial capacity.
- Seal Bearing Case with grease lubrication
- TRUNNION PINS available
- Choice of lower connection threads
- Designed for easy field service and maintenance



TECHNICAL DATA

MODEL #	LENGTH	WT/LBS EACH	HOSE CONN. FEMALE	LOWER CONN* PIN	WATER COURSE	WORKING PRESSURE	BAIL OPENING
30WX	39"	205	3" NPT	4-1/2" OD 8-V LH	3" ID	To 300 PSI	5" X 8"

SAFE WEIGHT LOADS

MODEL #	STATIC LOAD	ROTATING LOAD	SAFE DEPTH			
			2-3/8", 6.65	2-7/8", 10.4	3-1/2", 13.3	4-1/2", 16.6
30WX	90,000 LBS.	50,000 LBS. @ 100 RPM	5,000 FT	3,300 FT	2,600 FT	2,100 FT

PARTS LIST

PART NO.	DESCRIPTION	WT/LBS	QTY. REQ.	
30WX-3030-XX	WESTERN SWIVEL, LESS BAIL, 3" NPT FEMALE HOSE CONNECTION WITH 4 1/2" OD 8-V LH PIN LOWER CONNECTION			
	ADD FOR BAIL			
	ADD FOR PULLDOWN TRUNNION PINS			
	ADD FOR SPECIAL LOWER CONNECTION			
	ADD FOR ELEVATOR SHANK (3 1/2" OR SMALLER)			
30WX-01	BAIL (5" X 8")	26.00	1	
30WX-01E	ELEVATOR SHANK (3 1/2" OR SMALLER)	71.00	Option	
30WX-02	BAIL PIN	6.50	1	
20WX-02A	BAIL PIN NUT	.75	2	
30WX-04A	GOOSENECK, 3" NPT FEMALE HOSE CONNECTION	43.00	1	
6JW-05	+ PACKING	.25	2	
6JW-05-90	PACKING, 90 DURO (HIGH PRESSURE)	.25	Option	
6JW-05V	PACKING VITON	.25	Option	
30WX-06	+ WEARBUSHING	2.00	1	
5JW-07	+ HOUSING SEAL	.25	2	
5JW-07V	HOUSING SEAL VITON	.25	Option	
30WX-08	SPINDLE NUT	6.00	1	
30WX-09	+ SHIELD SEAL	.50	1	
30WX-10	+ BEARING SHIELD	.75	1	
5JW-11	BEARING RETAINER WIRE	.12	1	
5JW-12	+ BEARINGS	8.00	4	
30WX-14	BEARING HOUSING	42.00	1	
30WX-14A	BEARING HOUSING WITH PINS, 2" OD, 8 15/16" SHOULDERS	57.00	Option	
15WX-15	HOUSING BOLT AND NUT	.25	1	
30WX-16KD-LP	SPINDLE, 4 1/2" OD 8-V LH PIN	37.00	1	
30WX-16JG-LP	SPINDLE, 3 1/2" FULL HOLE LH PIN	37.00	Option	
30WX-16JE-LP	SPINDLE, 3 1/2" IF LH PIN	39.25	Option	
30WX-16XJE-LP	SPINDLE, 3 1/2" IF LH PIN (SHORTEN PIN, FULL 3" ID)	38.50	Option	
5JW-17	+ SPINDLE THREAD SEAL	.06	1	
30WX-40	MAINTENANCE KIT (8) 6JW-05, (1) 30 WX-06			
30WX-40R	REPAIR KIT + Included in Repair Kit			

Other sizes of connections available, please consult factory.

Option for above swivel, may affect pricing of complete swivel. Other options available, please consult factory.

