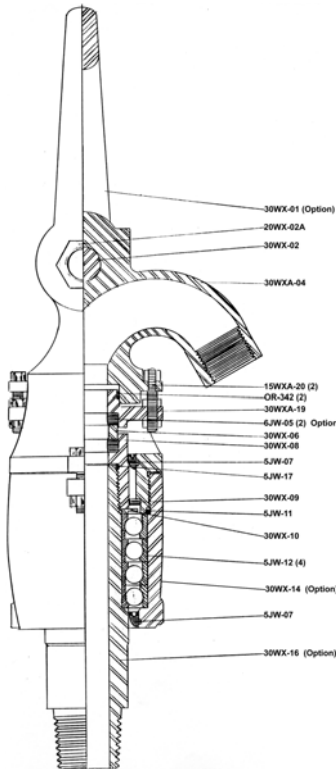




30 WXA

Adjustable Packing Swivel



- For WATER, GEOPHYSICAL, and MONITORING well drilling
- Light Weight
- Alloy Steel construction for strength
- Large Watercourse
- For Pulldown or Kelly Bar machines
- Flexible BAIL or ELEVATOR SHANK available
- Thrust ball bearings support drill pipe load while providing radial capacity.
- Seal Bearing Case with grease lubrication
- TRUNNION PINS available
- Choice of lower connection threads
- Designed for easy field service and maintenance

TECHNICAL DATA

LENGTH OVERALL	WT/LBS EACH	HOSE CONN. FEMALE	LOWER CONN* PIN	WATER COURSE	WORKING OPENING	BAIL OPENING
41"	225	3" NPT	4-1/2" OD 8-V LH	MAX 3" ID	To 300 PSI	5" X 8"

SAFE WEIGHT LOADS

MODEL #	STATIC LOAD	ROTATING LOAD	SAFE DEPTH			
			2-3/8", 6.65	2-7/8", 10.4	3-1/2", 13.3	4-1/2", 16.6
30WXA	90,000 LBS.	50,000 LBS. @ 100 RPM	5,000 FT	3,300 FT	2,600 FT	2,100 FT

PARTS LIST

PART NUMBER	DESCRIPTION	WT/LB EACH	QTY. REQ.	
30WXA-3120-XX	WESTERN SWIVEL, LESS BAIL, 2 1/2" NPT FEMALE HOSE CONNECTION, WITH ADJUSTABLE PACKING, WITH 4 1/2" OD 8-V LH PIN LOWER CONNECTION			
	ADD FOR BAIL			
	ADD FOR ELEVATOR SHANK (3 1/2" OD OR SMALLER)			
	ADD FOR "SPECIAL SPINDLE"			
	ADD FOR TRUNNION PINS			
30WX-01	BAIL	21.00	1	
30WX-01E	ELEVATOR SHANK (3 1/2" OD OR SMALLER)	42.00	OPTION**	
30WX-02	BAIL PIN	4.00	1	
30WX-02A	BAIL PIN NUT	.75	2	
30WXA-04A	GOOSENECK, ADJUSTABLE, 3" NPT FEMALE	58.00	1	
6JW-05	+ PACKING	.25	2	
6JW-05-90	PACKING, 90 DURO (RED)	.25	OPTION	
6JW-05V	PACKING, VITON	.25	OPTION	
30WX-06	+ WEARBUSHING	1.00	1	
5JW-07	+ HOUSING SEAL	.12	2	
5JW-07V	HOUSING SEAL, VITON	.12	OPTION	
30WX-08	SPINDLE NUT	4.50	1	
30WX-09	+ SHIELD SEAL	.37	1	
30WX-10	+ BEARING SHIELD	.50	1	
5JW-11	BEARING RETAINER WIRE	.12	1	
5JW-12	+ BEARINGS	4.25	4	
30WX-14	BEARING HOUSING	37.00	1	
30WX-14A	BEARING HOUSING, 8 15/16" SHOULDERS 2" TRUNNION PINS	43.00	OPTION	
15WX-15	LOCK SCREW WITH NUT, BEARING HOUSING	45.00	1	
30WX-16KD-LP	SPINDLE, 4 1/2" OD 8V LH PIN	.25	1	
30WX-16JG-LP	SPINDLE, 3 1/2" FULL HOLE LH PIN	28.00	OPTION**	
30WX-16JE-LP	SPINDLE, 3 1/2" IF LH PIN	34.00	OPTION**	
30WX-16XE-LP	SPINDLE, 3 1/2" IF LH PIN (SHORTEN PIN, 3" ID)	31.00	OPTION**	
5JW-17	+ SPINDLE THREAD SEAL	.06	1	
30WXA-19	PACKING ADJUSTING GLAND	7.25	1	
15WXA-20	ADJUSTING SCREW W/NUTS	1.75	2	
OR-342	+ O-RING, ADJUSTING GLAND	.01	2	
30WX-40	MAINTENANCE KIT (8) 6JW-05, (1) 30WX-06			
30WXA-40R	REPAIR KIT, + INCLUDED IN REPAIR KIT			

Other sizes of connections available, please consult factory.

Option for above swivel, may affect pricing of complete swivel. Other options available, please consult factory.

