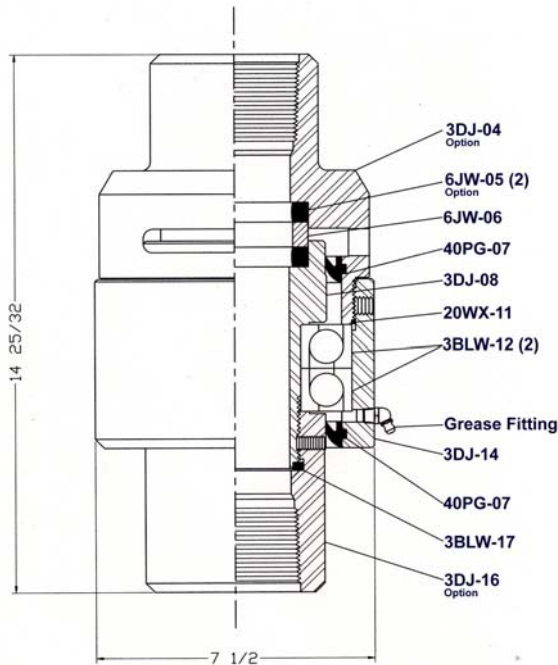




3DJ Rotating Head



- 3" Fluid Passage
- Compact Design
- Thrust ball bearings grease lubricated for radial and thrust loads
- Available with STIFF BAIL
- Available with 90 degree hose connection.
- For both air and mud rotary

WEIGHTS AND DIMENSIONAL DATA

LENGTH	WT/LB	HOSE CONN	LOWER CONN	WATERCOURSE	WORKING PRESSURE
14 1/2"	65	3" NPT FEMALE	2 1/2" OR 3" NPT	3"	TO 300 PSI

PARTS LIST

PART NUMBER	DESCRIPTION	WT/LBS	NUMBER REQ.	
3DJ-2500-XX	WESTERN ROTATING HEAD, 3" FEMALE OR 4" MALE NPT HOSE CONNECTION, WITH 3" NPT RH/LH BOX OR PIN LOWER CONNECTION			
	ADD FOR STIFF BAIL			
	ADD FOR SPECIAL LOWER CONNECTION			
3DJ-04A **	GOOSENECK, 3" NPT BOX HOSE CONNECTION	18.00	1	
6JW-05	+ PACKING	.25	2	
6JW-05-90	PACKING, 90 DURO HIGH PRESSURE	.25	Option	
6JW-06	+ WEARBUSHING	1.00	1	
40PG-07	+ HOUSING SEALS	.20	2	
3DJ-08	BEARING SPINDLE	8.00	1	
20WX-11	BEARING RETAINER WIRE	.12	1	
3BLW-12	+ BEARING	7.50	2	
3DJ-14	BEARING HOUSING	10.00	1	
3DJ-16HA-RB	LOWER CONNECTION, 3" NPT RH BOX	15.00	Option	
3DJ-14HA-LB	LOWER CONNECTION, 3" NPT LH BOX	15.00	1	
3DJ-16IA-RB	LOWER CONNECTION, 4" NPT RH BOX	18.00	Option	
3DJ-16IA-LB	LOWER CONNECTION, 4" NPT RH PIN	17.00	Option	
3DJ-16HA-RP	LOWER CONNECTION, 3" NPT RH PIN	15.00	Option	
3DJ-16HA-LP	LOWER CONNECTION, 3" NPT LH PIN	15.00	Option	
3DJ-16IA-RP	LOWER CONNECTION, 4" NPT RH PIN	18.00	Option	
3DJ-16IA-LP	LOWER CONNECTION, 4" NPT LH PIN	18.00	Option	
3DJ-16TA-LP	LOWER CONNECTION, 2 1/2" NPT LH PIN	13.50	Option	
3BLW-17	+ SPINDLE THREAD SEAL	.15	1	
SS-37X37	SET SCREW, LOWER CONNECTION	.01	1	
SS-50X37	SET SCREW, BEARING HOUSING	.01	1	
6JW-40	MAINTENANCE KIT (8) 6JW-05 (1) 6JW-06 WEARBUSHING			
3DJ-40R	REPAIR KIT + Included in Repair Kit			

Other sizes of connections available, please consult factory.

Option for above swivel, may affect pricing of complete swivel. Other options available, please consult factory.

