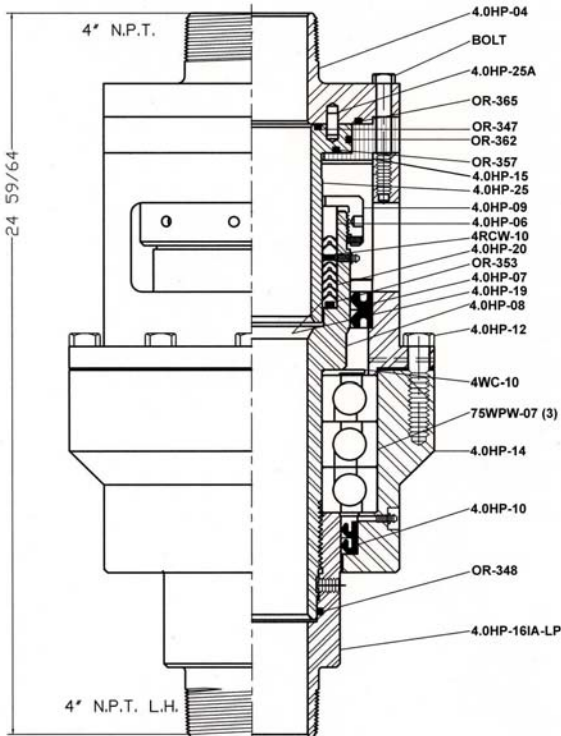




4.0HP “SPECIAL SWIVEL”



- High pressure rotating head
- 4" Fluid passage
- Adjustable Chevron V-ring packing
- Grease lubricated packing and bearings
- Floating washpipe (for better packing life)
- Alloy steel construction
- For directional drilling market
- Easy field service when necessary

TECHNICAL DATA

LENGTH	WIDTH	WEIGHT	HOSE CONN.	LOWER CONN.	FLUID PASSAGE	WORKING PRESSURE
25"			4" NPT	4" NPT	4"	TO 2500 PSI

**WEIGHT CAPACITY
DESIGNED FOR PRESSURE ONLY**

PARTS LIST

PART NUMBER	DESCRIPTION	WT/LBS	QTY. REQ.	PRICE
4.0HP-9600-01	WESTERN ROTATING HEAD, 4" NPT MALE HOSE CONNECTION, WITH 4" NPT LH MALE LOWER CONNECTION			CONSULT
4.0HP-04	GOOSENECK, 4" NPT MALE		1	CONSULT
4.0HP-06	PACKING SEAT RING		1	CONSULT
4.0HP-07	UPPER HOUSING SEAL		2	CONSULT ea
4.0HP-08	BEARING SPINDLE		1	CONSULT
4.0HP-09	PACKING ADJUSTING GLAND		1	CONSULT
4.0HP-10	LOWER HOUSING SEAL		2	CONSULT ea
4.0HP-12	BONNET		1	CONSULT
4.0HP-14	BEARING HOUSING		1	CONSULT
4.0HP-15	LOCK RING (WASHPIPE/GOOSENECK)		1	CONSULT
4.0HP-16IA-LP	LOWER CONNECTION, 4" NPT LH PIN		1	CONSULT
4.0HP-19	PACKING GLAND		1	CONSULT
4.0HP-20	PACKING SET		1	CONSULT
4.0HP-25	WASHPIPE		1	CONSULT
4.0HP-25A	DOWELLS, WASHPIPE		2	CONSULT ea
4RCW-10	LANTERN RING		1	CONSULT
4WC-10	BEARING SHIELD		1	CONSULT
75WPW-07	BEARING		3	CONSULT ea
OR-347	O-RING (WASHPIPE)		1	CONSULT
OR-348	O-RING (THREAD SEAL)		1	CONSULT
OR-353	O-RING (PACKING GLAND)		1	CONSULT
OR-357	O-RING (WASHPIPE)		1	CONSULT
OR-362	O-RING (WASHPIPE)		1	CONSULT
OR-365	O-RING (GOOSENECK)		1	CONSULT

Other sizes of connections available, please consult factory.

Option for above swivel, may affect pricing of complete swivel. Other options available, please consult factory.

