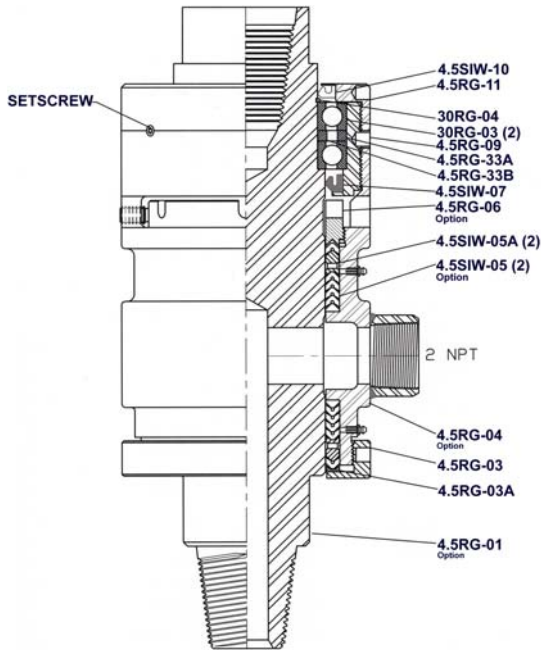




4.5RG Side Inlet Swivel



- For Mud and Air Rotary work
- Used for DUAL TUBE drilling
- Compact design
- Sealed Bearing above packing assembly
- Alloy steel construction with hardened packing areas.
- Available with a large choice of thread sizes and forms
- Adjustable Chevron (V-Ring) packing, grease lubricated
- Can be repaired in the field when necessary.

TECHNICAL DATA

OVERALL LENGTH	WIDTH CONN.	TOP* CONN.	HOSE CONN.	LOWER* CONN.	WATERCOURSE	WT/LB.
22-3/4"	9"	3-1/2" REG.BOX	2"	3-1/2" REG. PIN	1-1/2"	230
22-3/4"	9"	3-1/2" REG.BOX	2-1/2"	3-1/2" IF PIN	2-1/2"	230
19-3/4"	9"	3-1/2" IF BOX	2-1/2"	4-1/8" DI-31 BOX	2"	215

PARTS LIST

PART NUMBER	NAME	NUMBER REQ.	WT/LB EACH	SPARES ONE YEAR	
4.5RG-4050-XX	WESTERN SIDE INLET, 3 1/2" REG OR IF RH BOX UPPER CONNECTION, 2 OR 2 1/2 NPT FEMALE HOSE CONNECTION WITH 3 1/2" REG OR 3 1/2" IF RH PIN LOWER CONNECTION				
	ADD FOR 4 1/8" DI-31 RH BOX OR SPECIAL STEM				
4.5RG-01A	STEM, 3-1/2" REG BOX BY 3-1/2" IF PIN	OPTION	110.00		
4.5RG-01B	STEM, 3-1/2" REG BOX BY 3-1/2" REG PIN	OPTION	105.00		
4.5RG-01C	STEM, 3 1/2" IF RH BOX BY 4 1/8" DI-31 RH BOX	OPTION	105.00		
4.5RG-03	LOWER ADJUSTING GLAND	1	4.00		
4.5RG-03A	LOWER SEAT RING	1	.75	2	
4.5RG-04A	PACKOFF HOUSING, 2" NPT FEMALE	1	45.00		
4.5SIW-05	PACKING SET	2	.75	8	
4.5SIW-05-LOW	PACKING SET (10 to 125 PSI)	OPTION	.75		
4.5SIW-05-417	PACKING SET (HIGH PRESSURE)	OPTION	.75		
4.5SIW-05A	LANTERN RING	2	.75	2	
4.5RG-06	UPPER ADJUSTING NUT	1	4.00		
4.5SIW-07	LOWER HOUSING SEAL	1	.50	2	
4.5RG-09	BEARING HOUSING	1	20.00		
4.5SIW-10	UPPER HOUSING SEAL	1	.50	2	
4.5RG-11	CAP, BEARING HOUSING	1	5.00		
30RG-04	RETAINER, BEARING	1	.10	1	
30RG-03	BEARINGS	2	8.00	2	
4.5RG-33	SPACER, BEARINGS, INNER	1	1.00		
4.5RG-33A	SPACER, BEARING, OUTER	1	1.00		

Other sizes of connections available, please consult factory.

Option for above swivel, may affect pricing of complete swivel. Other options available, please consult factory.

