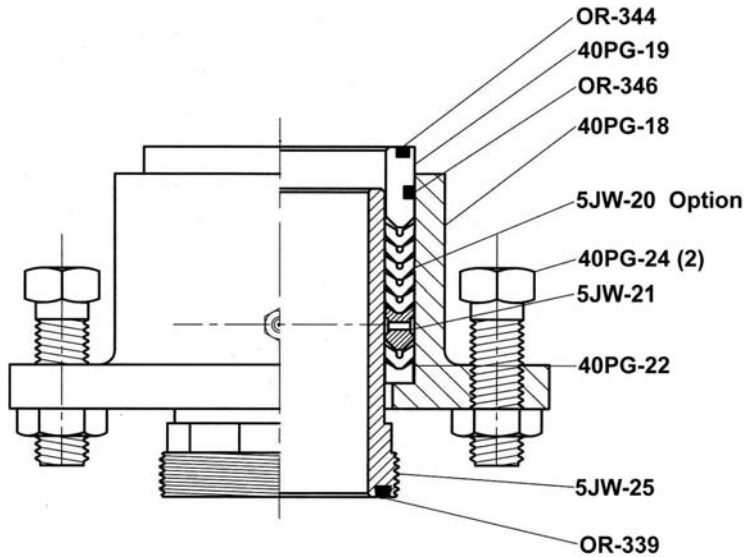




## PACKING ASSEMBLY FOR 30 PG, 40 PG, 50 PG SWIVEL



- Fits all KG and PG swivels
- Grease lubricated Chevron V-Ring Packing
- Adjustable

### PARTS LIST

PART NUMBER	NAME	QTY. REQ.	
<b>40PG-40</b>	PACKING ASSEMBLY (COMPLETE)	1	
40PG-18	PACKING BOX	1	
40PG-19	PACKING GLAND	1	
5JW-20	PACKING SET	1	
5JW-20-416	PACKING SET (LOW PRESSURE)	Option	
5JW-21	LANTERN RING	1	
40PG-22	PACKING SEAT RING	1	
40PG-24	PACKING ADJUSTING SCREW AND NUT	2	
5JW-25	WASHPIPE	1	
OR-339	O RING (WASHPIPE)	1	
OR-344	O RING (PACKING GLAND)	1	
OR-346	O RING (PACKING GLAND)	1	

Other sizes of connections available, please consult factory.

Option for above swivel, may affect pricing of complete swivel. Other options available, please consult factory.

