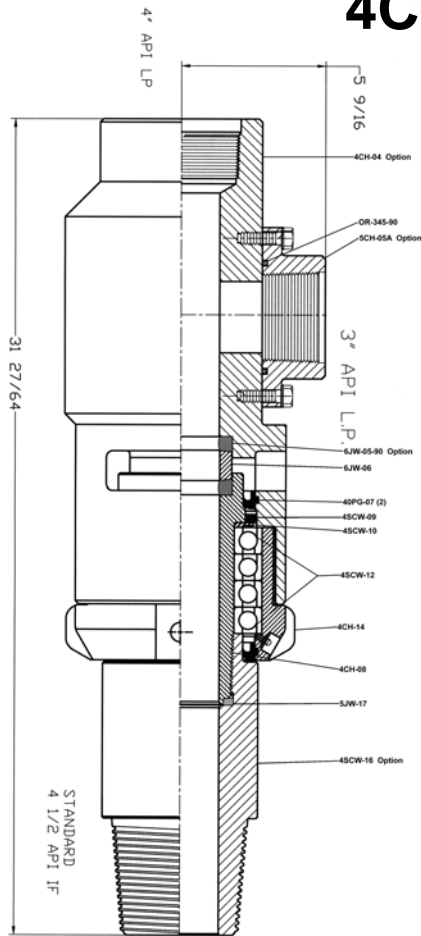




4CH – 3,000 PSI RATED



- Circulating head
- Alloy steel construction
- Angular contact ball bearings for ample pressure and radial load support
- Grease lubricated bearing
- Optional connection available

TECHNICAL

LENGTH	WIDTH	WEIGHT	UPPER CONN.	HOSE CONN.	LOWER CONN.	FLUID PASSAGE	WORKING PRESSURE
34 1/2"	11"	232 LBS	4" LP FEMALE	3" NPT FEMALE	4 1/2 IF RH PIN	3"	TO 3000 PSI

WEIGHT CAPACITY

Designed for pressure load only

PARTS LIST

PART NUMBER	NAME	QTY. REQ.	
4CH-6910-XX	WESTERN CIRCULATING HEAD, 4" FEMALE LINE PIPE UPPER CONNECTION, 3" NPT FEMALE HOSE CONNECTION WITH 4 1/2" IF RH PIN LOWER CONNECTION		
	ADD FOR 3 1/2" IF RH PIN LOWER CONNECTION		
4CH-04	GOOSENECK/BODY	1	
6JW-05-90	PACKING, 90 DURO	2	
6JW-06	WEARBUSHING	1	
40PG-07	HOUSING SEALS	2	
4CH-08	BEARING SPINDLE	1	
4SCW-09	SHIELD SEAL	1	
4SCW-10	BEARING SHIELD	1	
4SCW-12	BEARINGS (UPTHRUST AND DOWNTHRUST)	4	
4CH-14	BEARING HOUSING	1	
15WX-15	HOUSING LOCK BOLT AND NUT	1	
4SCW-16KE-RP	LOWER CONNECTION (4 1/2" IF RH PIN)	1	
4SCW-16JE-RP	LOWER CONNECTION (3 1/2" IF RH PIN)	Option	
5JW-17	SPINDLE THREAD SEAL	1	
5CH-05A	CONNECTION, HOSE (3" NPT FEMALE)	1	
OR-345-90	O RING (HOSE CONNECTION)	1	

Other sizes of connections available, please consult factory.

Option for above swivel, may affect pricing of complete swivel. Other options available, please consult factory.

