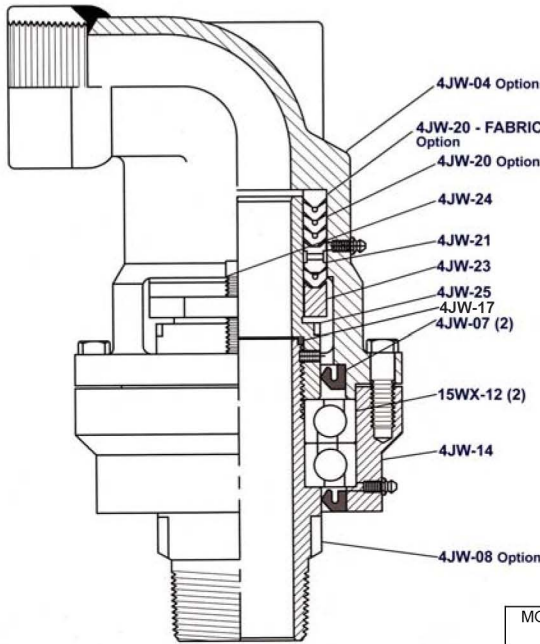




4JW ROTATING HEAD



- For all types of drilling
- For rotating speed to 500 RPM
- Constructed from a high grade alloy steel
- Grease lubricated thrust ball bearings in a sealed housing
- Available with or without stiff bail
- Compact
- Simple design allows for easy field maintenance and repair
- Large Watercourse, 2" and 2-1/4"
- Choice of lower connection threads
- Working Pressures to 1500 PSI

TECHNICAL DATA

MODEL	LENGTH	WT/LBS	HOSE CONN.	LOWER CONN* RH OR LH NPT	WATER COURSE	WORKING PRESSURE
4JW	13" W/O BAIL	50	2-1/2" FEMALE	2-1/2" PIN	MAX. 2-1/4"	1500 PSI

CAPACITIES & SAFE DRILL DEPTHS

MODEL	STATIC LOAD	ROTATING LOADS	ROTATING SPEED	DRILL DEPTH	PIPE SIZE
4JW	20,000 LBS.	10,500 LBS.	100 RPM	3000 FT	2" STANDARD PIPE

PARTS LIST

PART NUMBER	DESCRIPTION	WT/LBS	QTY. REQ.	
4JW-2040-XX	WESTERN SWIVEL, NO BAIL, 2 1/2" NPT FEMALE HOSE CONNECTION WITH 2 1/2" NPT LH PIN LOWER CONNECTION			
	ADD FOR STIFF BAIL			
	ADD FOR SPECIAL LOWER CONNECTION			
4JW-04	GOOSENECK, NO BAIL, 2 1/2" NPT FEMALE H/C	26.00	1	
4JW-04B	GOOSENECK, BAIL, 2 1/2" NPT FEMALE H/C	.25	Option	
4JW-07	+ HOUSING SEAL, UPPER	7.00	2	
4JW-08TA-LP	SPINDLE, 2 1/2" NPT LH PIN LOWER CONN	7.00	1	
4JW-08EA-LB	SPINDLE, 2" NPT LH BOX LOWER CONN		Option	
15WX-12	+ BEARINGS	5.50	2	
4JW-14	BEARING HOUSING	10.00	1	
4JW-14A	CAP SCREW W/LOCK WASHER	.25	4	
4JW-20	+ PACKING SET	1.00	1	
4JW-20-416	PACKING SET LOW PRESSURE	1.00	OPTION	
4JW-20-FABRIC	+ ADAPTER, MALE (FABRIC)	.10	1	
4JW-20-STEEL	ADAPTER, MALE (STEEL)	.75	Option	
4JW-21	LANTERN RING	.75	1	
4JW-23	PACKING ADJUSTING GLAND	2.00	1	
4JW-24	PACKING ADJUSTING BOLT AND NUT	.20	2	
4JW-25	+ WASHPIPE (SPINDLE NUT)	5.00	1	
4JW-25A	+ SET SCREW, WASHPIPE	.01	1	
4JW-17	SPINDLE THREAD SEAL (ADHERED TO WASHPIPE)	.01	1	
4JW-40R	REPAIR KIT + Included in Repair Kit			

Other sizes of connections available, please consult factory.

Option for above swivel, may affect pricing of complete swivel. Other options available, please consult factory.

