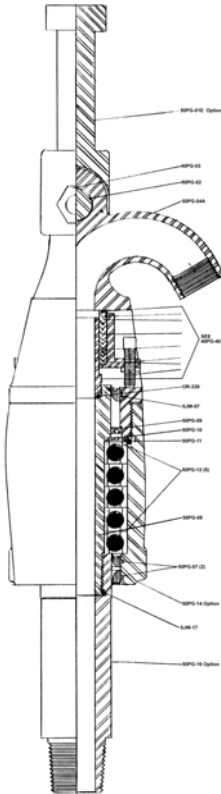




50PG SWIVEL



- For DEEP WATER WELL, WORKOVER, and SHALLOW OIL WELL Drilling
- Hardened ground WASHPIPE and CHEVRON (V-Ring) PACKING, grease lubricated
- Oversized WATERCOURSE, 3" ID
- Flexible BAIL or ELEVATOR SHANK available
- Adjustable Packing
- Packing can be changed quickly without disassembling swivel.
- Thrust ball bearings support drill pipe load while providing radial capacity.
- Seal Bearing Case with grease lubrication
- TRUNNION PINS available for pull down rigs
- Large choice of optional Lower Connections Threads
- Designed for easy field service and maintenance

TECHNICAL

MODEL #	LENGTH OVERALL	WT/LBS EACH	HOSE CONN. FEMALE	LOWER CONN* PIN	WATER COURSE	WORKING PRESSURE	BAIL OPENING
50PG	63"	512	3" NPT	4-1/2" REG. LH	MAX. 3" ID	To 1500 PSI	7" X 16"

SAFE WEIGHT LOADS

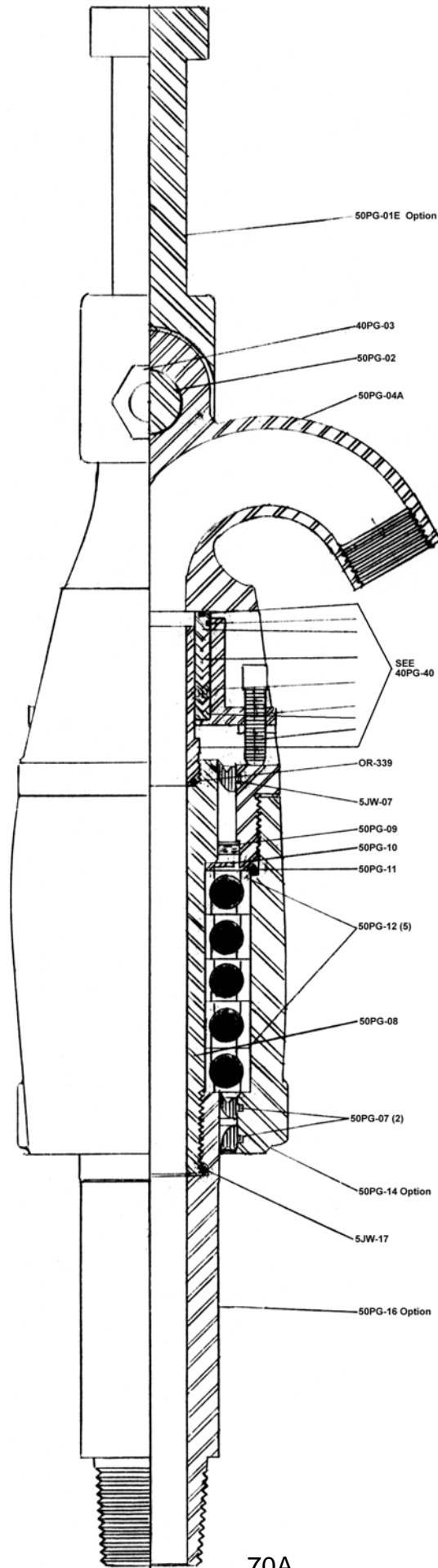
MODEL #	STATIC LOAD	ROTATING LOAD	SAFE DEPTH			
			2-3/8", 6.65	2-7/8", 10.4	3-1/2", 13.3	4-1/2", 16.6
50PG	160,000 LBS	87,000 LBS. @ 100 RPM	10,000 FT	6,200 FT	4,800 FT	3,800 FT

PARTS LIST

PART NUMBER	NAME	QTY. REQ.	
50PG-6300-XX	WESTERN SWIVEL, LESS BAIL, 3" NPT FEMALE HOSE CONNECTION. WITH 4 1/2" REGULAR LH PIN LOWER CONNECTION		
	ADD FOR BAIL		
	ADD FOR ELEVATOR SHANK (3 1/2" OR SMALLER)		
	ADD FOR PULLDOWN TRUNNION PINS		
	ADD FOR 6 5/8" REGULAR LH PIN LWR. CONN.		
50PG-01	BAIL	Option	
50PG-01E	ELEVATOR SHANK (3 1/2" OR SMALLER)	Option	
50PG-02	BAIL PIN	1	
40PG-03	BAIL PIN NUTS	2	
50PG-04A	GOOSENECK, 3" NPT FEMALE HOSE CONNECTION	1	
5JW-07	UPPER HOUSING SEAL	1	
50PG-07	LOWER HOUSING SEAL	2	
50PG-08	BEARING SPINDLE	1	
50PG-09	FELT SEAL	1	
50PG-10	BEARING SHIELD	1	
50PG-11	BEARING RETAINER WIRE	1	
50PG-12	BEARINGS	5	
50PG-14	BEARING HOUSING	1	
50PG-14A	BEARING HOUSING WITH TRUNNION PINS	Option	
15WX-15	HOUSING LOCK BOLT AND NUT	1	
50PG-16KF-LP	LOWER CONNECTION, 4 1/2" REGULAR LH PIN	1	
50PG-160F-LP	LOWER CONNECTION, 6 5/8" REGULAR LH PIN	Option	
5JW-17	SPINDLE THREAD SEAL	1	
40PG-40	PACKING CAPSULE	1	

Other sizes of connections available, please consult factory.

Option for above swivel, may affect pricing of complete swivel. Other options available, please consult factory.



70A