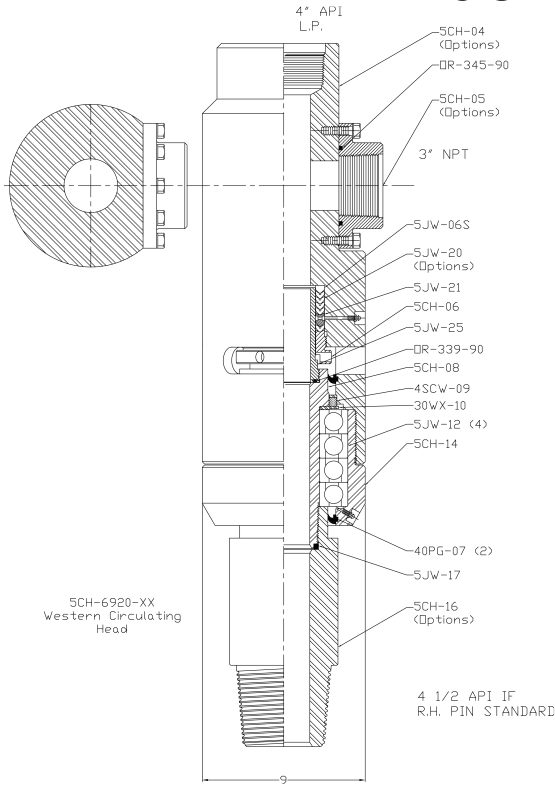




## 5CH – 6,000 PSI RATED



- Circulating head
- Alloy steel construction
- Angular contact ball bearing for ample pressure and radial load support
- Grease lubricated bearing
- Grease lubricated & adjustable Chevron V-ring packing
- Optional connection available

### TECHNICAL

LENGTH	WIDTH	WEIGHT	UPPER CONN.	HOSE CONN.	LOWER CONN.	FLUID PASSAGE	WORKING PRESSURE
34 1/2	9	285	4" L.P.	3" NPT	4 1/2 IF RH PIN	3	TO 6000 PSI

**WEIGHT CAPACITY**  
**Designed for pressure load only**

### PARTS LIST

PART NUMBER	NAME	QTY. REQ.	
<b>5CH-6920-XX</b>	WESTERN CIRCULATING HEAD, 4" FEMALE LINE PIPE UPPER CONNECTION, 3" NPT FEMALE HOSE CONNECTION WITH 4 1/2" IF RH PIN LOWER CONNECTION		
	ADD FOR 3 1/2" IF RH PIN LOWER CONNECTION		
5CH-04	GOOSENECK/BODY (LINE PIPE ONLY)	1	
5CH-05A	CONNECTION, HOSE, 3" NPT	1	
5CH-06	PACKING ADJUSTING GLAND	1	
5JW-07	HOUSING SEALS	2	
5CH-08	BEARING SPINDLE	1	
4SCW-09	SHIELD SEAL	1	
30WX-10	BEARING SHIELD	1	
5JW-12	BEARINGS	4	
5CH-14	BEARING HOUSING	1	
15WX-15	HOUSING LOCK BOLT AND NUT	1	
5CH-16KE-RP	LOWER CONNECTION, (4 1/2" IF RH PIN)	1	
5CH-16JE-RP	LOWER CONNECTION, (3 1/2" IF RH PIN)	Option	
5JW-17	SPINDLE THREAD SEAL	1	
5JW-20	PACKING	1	
5JW-06S	PACKING SEAT RING, STEEL	1	
5JW-21	LANTERN RING	1	
5JW-25	WASHPIPE	1	
OR-339	O RING (WASHPIPE)	1	
OR-345-90	O RING (HOSE CONNECTION)	1	

Other sizes of connections available, please consult factory.

Option for above swivel, may affect pricing of complete swivel. Other options available, please consult factory.

