



60 PG

- Designed for water well but oilfield tough
- Full 3" fluid passage
- Adjustable tapered roller bearing
- Oil lubricated bearings
- Adjustable, grease lubricated Chevron packing
- Available with trunnion pins for pulldown
- Floating washpipe

TECHNICAL

LENGTH	WIDTH	WEIGHT	HOSE CONN.	LOWER CONN.	FLUID PASSAGE	WORKING PRESSURE
46 21/32	22 1/16	995	3" NPT	4" IF	3"	TO 3000 PSI

WEIGHT CAPACITY

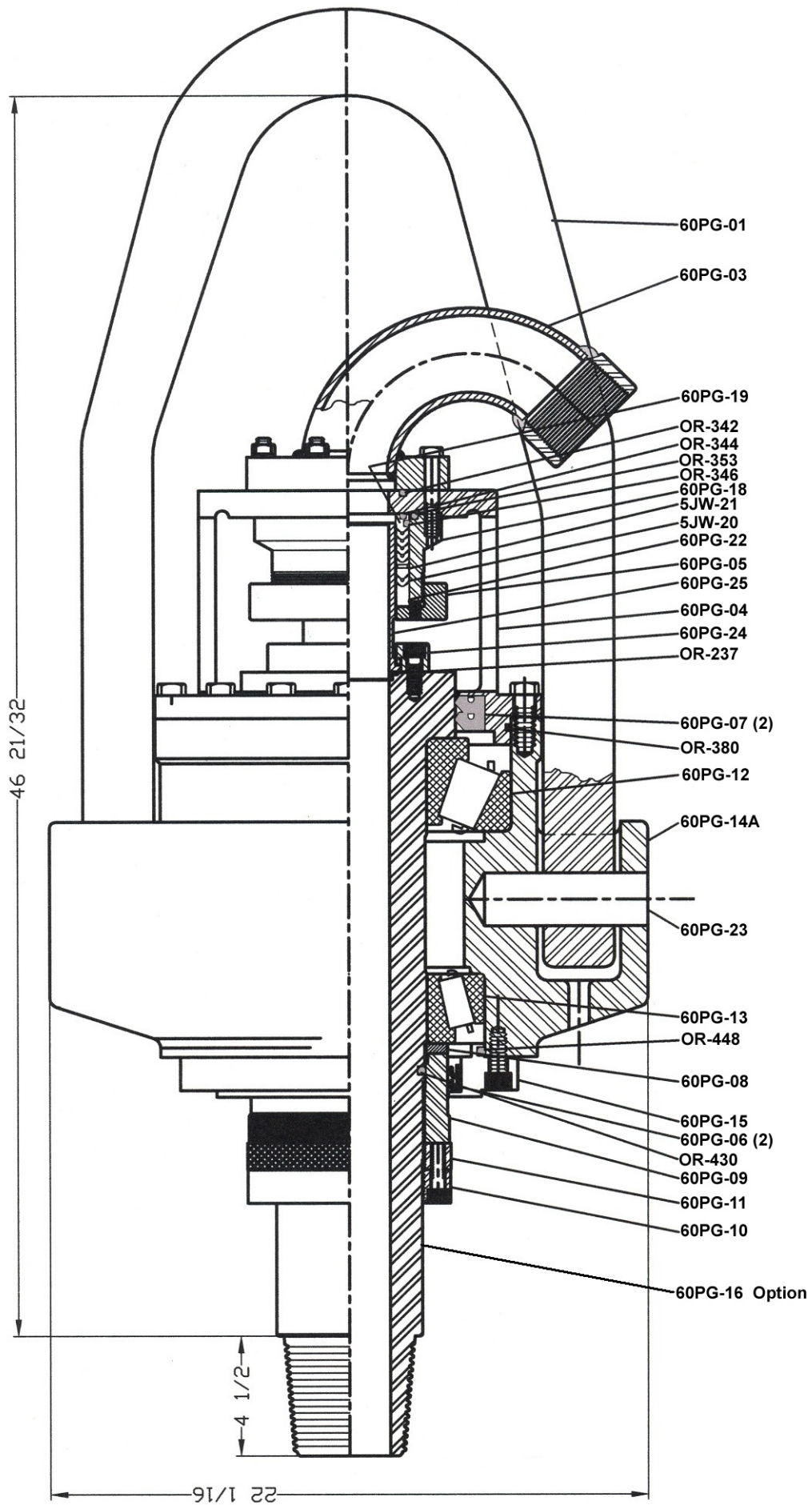
STATIC	ROTATING
87.5 TON	81,000 LBS @ 100 RPM

PARTS LIST

PART NUMBER	NAME	QTY. REQ.	
60PG-6400-XX	SWIVEL WITH BAIL, 3" NPT FEMALE HOSE CONNECTION STRAIGHT OUT, WITH 2" OD TRUNNIONS PINS ON 14 1/4" SHOULDERS, WITH 4" IF LH PIN LOWER CONNECTION, 3" FLUID PASSAGE		
60PG-01	BAIL	1	
60PG-03	GOOSENECK ASSEMBLY, 3" NPT HOSE CONNECTION STRAIGHT OUT	1	
60PG-04	BONNET	1	
60PG-05	PACKING ADJUSTMENT GLAND	1	
60PG-06	LOWER HOUSING SEAL	2	
60PG-07	UPPER HOUSING SEAL	2	
60PG-08	BEARING SHIELD	1	
60PG-09	BEARING ADJUSTING NUT	1	
60PG-10	BEARING LOCK NUT	1	
60PG-11	BEARING ADJUSTMENT NUT LOCK RING	1	
60PG-12	BEARING, MAIN ASSEMBLY (CUP AND CONE)	1	
60PG-13	BEARING, LOWER ASSEMBLY (CUP AND CONE)	1	
60PG-14A	BEARING HOUSING FOR BAIL	1	
60PG-15	OIL BOX	1	
60PG-16IE-LP	SPINDLE, 4" IF LH PIN	1	
60PG-18	PACKING BOX	1	
60PG-19	PACKING GLAND	1	
60PG-22	PACKING SEAT RING	1	
60PG-23	BAIL PINS	2	
60PG-24	NUT, WASHPIPE HOLDDOWN	1	
60PG-25	WASHPIPE	1	
5JW-20	PACKING	1	
5JW-21	LANTERN RING	1	
OR-237	O RING, WASHPIPE	1	
OR-353	O RING, PACKING BOX	1	
OR-380	O RING, BONNET	1	
OR-430	O RING (STEM/ADJUSTING NUT)	1	
OR-448	O RING (OIL BOX)	1	
6WC-02A	RETAINER, BAIL PIN	2	
OR-342	O RING (GOOSENECK)	1	
OR-344	O RING (PACKING GLAND)	1	
OR-346	O RING (PACKING GLAND)	1	

Other sizes of connections available, please consult factory.

Option for above swivel, may affect pricing of complete swivel. Other options available, please consult factory.



71A