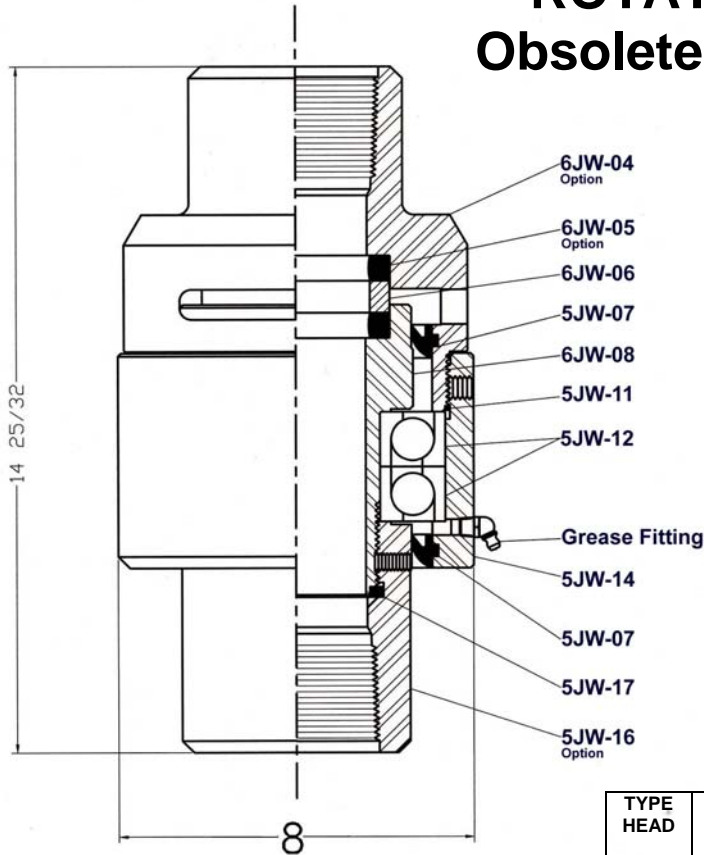




## 6JW ROTATING HEAD Obsolete – Parts Only



- Fluid Passage – 3" Maximum
- Compact Design
- Thrust Ball Bearings for pressure and radial load support
- Choice of hose and lower connection threads
- Easy field maintenance and repair
- Working Pressure to 300 PSI

### WEIGHTS AND DIMENSIONAL DATA

TYPE HEAD	WORKING PRES.	LENGTH INCHES	WT/LBS	LOWER CONN.* LH OR RH BOX OR PIN	HOSE CONN.	WATER COURSE
6JW	300	14 1/2"	70	3" NPT or 4"	3" or 4"	3"

### PARTS LIST

PART NUMBER	DESCRIPTION	WT/LBS	NUMBER REQ.	
6JW-04	GOOSENECK, 3" NPT FEMALE HOSE CONNECTION	18.00	1	
6JW-04A	GOOSENECK, 4" NPT MALE HOSE CONNECTION	18.50	OPTION	
6JW-05	+ PACKING	.25	2	
6JW-05-90	PACKING, 90 DURO	.25	OPTION	
6JW-05V	PACKING, VITON	.25	OPTION	
6JW-06	+ WEARBUSING	1.00	1	
6JW-08	BEARING SPINDLE	8.00	1	
5JW-07	+ HOUSING SEAL	.25	2	
5JW-07V	VITON PACKING	.25	OPTION	
5JW-11	BEARING RETAINER WIRE	.10	1	
5JW-12	+ BEARING	8.00	2	
5JW-14	BEARING HOUSING	10.00	1	
5JW-16HA-LB**	LOWER CONNECTION, 3" NPT LH BOX		1	
5JW-16HA-RP	LOWER CONNECTION, 3" NPT RH PIN	15.00		
5JW-17	+ SPINDLE THREAD SEAL	.25	1	
6JW-40	MAINTENANCE KIT (8) 6JW-05, (1) 6JW-06			
6JW-40R	REPAIR KIT + Included in Repair Kit			

Other sizes of connections available, please consult factory.

Option for above swivel, may affect pricing of complete swivel. Other options available, please consult factory.

