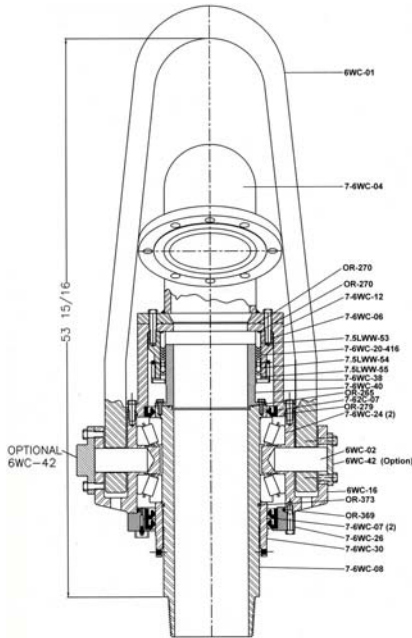




7-6WC SWIVEL “SPECIAL SWIVEL”



The 7-6WC is designed for the Water Well, Irrigation, and the Construction Drilling market. This compact swivel with its 7” ID watercourse can be used for both conventional and reverse circulation drilling.

- Large watercourse, full 7” ID
- Quick change packing box
- Equal hoisting and pulldown capacity
- Adjustable bearings and packing
- 2” NPT female airline connection
- Weld beveled sub furnished for Kelly connection

TECHNICAL DATA & WEIGHT

STATIC LOAD CAPACITY	ROTATING LOAD CAP. @ 35 RPM	WORKING PRESSURE	HOSE CONNECTION	WT/LB	WORKING LENGTH
175,000 LBS	80,000 LBS	TO 1500 PSI	8” FLANGE	825	60”

PARTS LIST

PART NUMBER	DESCRIPTION	WT/LBS	QTY REQ	
7-6WC-5002-XX	WESTERN SWIVEL, 7” WATERCOURSE, 8” FLANGED HOSE CONN. WITH 2” NPT FEMALE AIR CONN., WITH 7” (MOD) LH PIN LOWER CONNECTION, FURNISHED WITH BEVEL FOR WELD SAVER SUB. (LIMITED TO 10” OD)			
6WC-01	BAIL	105.00	1	
6WC-02	BAIL PINS	8.00	2	
6WC-02A	BAIL PIN RETAINER	1.00	2	
7-6WC-04	GOOSENECK		1	
6WC-04-CS	CAP SCREW W/WASHER	.50	8	
7-6WC-06	PACKING BOX		1	
7-6WC-07	SEAL, HOUSING		3	
7-6WC-08	SPINDLE		1	
7-6WC-12	BONNET		1	
7-6WC-12-CS	CAP SCREW W/WASHER	.50	8	
6WC-16	BEARING HOUSING	120.00	1	
7-6WC-20-416	PACKING SET (LOW PRESSURE)		1	
7-6WC-20	PACKING SET			OPTION
7-6WC-24	MAIN BEARING (CUP & CONE)		2	
7-6WC-26	LOWER OIL BOX		1	
6WC-26-CS	CAP SCREW W/WASHER	.20	6	
7-6WC-29	SUB, BEVEL FOR WELDING		1	
7-6WC-30	BEARING ADJUSTING NUT		1	
6WC-30-SS	SET SCREW	.20	4	
7-6WC-38	PACKING ADJUSTING GLAND		1	
7-6WC-40	WASHPIPE		1	
6WC-42	TORQUE FLANGE			OPTION
7.5LWW-53	PACKING GLAND		1	
7.5LWW-54	LANTERN RING	71.66	1	
7.5LWW-55	RING, PACKING SEAT	48.51	1	
OR-270	O RING		2	
OR-265	O RING		1	
OR-279	O RING		1	
OR-456	O RING		1	
OR-373	O RING		1	
OR-178	O RING		1	

Other sizes of connections available, please consult factory.

Option for above swivel, may affect pricing of complete swivel. Other options available, please consult factory.

