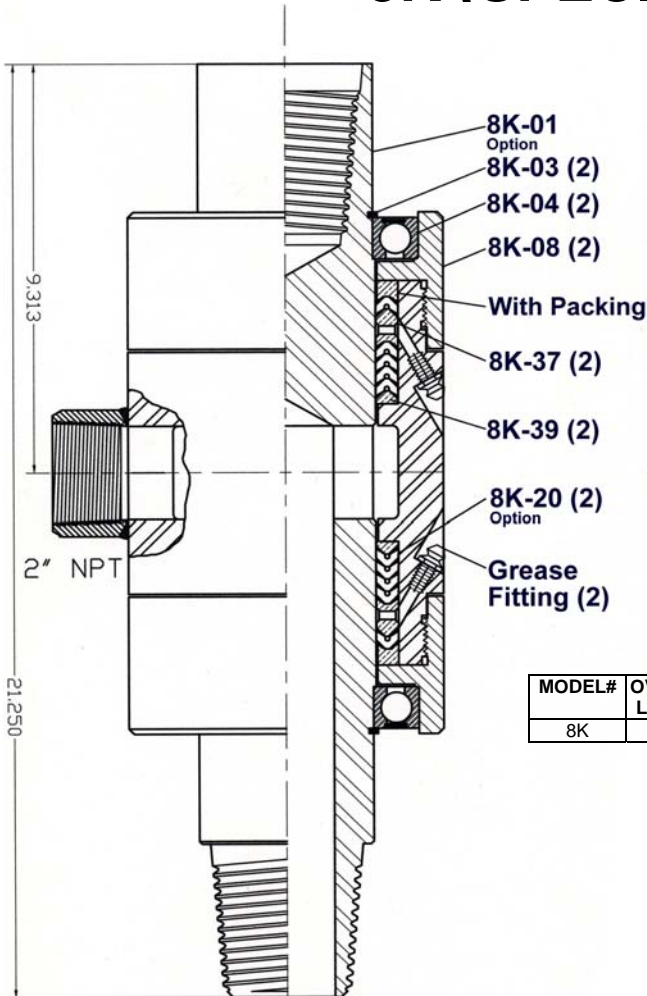




Distributed by: America West Drilling Supply
800-800-8444 | 775-355-1199

8K (SPECIAL SWIVEL)



- 6,000 PSI Working Pressure
- For High Pressure grouting
- Compact design
- Sealed Radial Ball Bearings for smooth rotation
- Non Adjustable grease lubricated Chevron (V-Ring) packing
- 2" Watercourse
- Numerous applications in the directional drilling market

TECHNICAL DATA

MODEL#	OVERALL LENGTH	WIDTH	WEIGHT LBS.	UPPER* CONN.	HOSE CONN.	LOWER* CONN.	WATER COURSE	WORKING PRESSURE
8K	24 1/4"	8"		2 7/8" IF	2"	2 7/8" IF	2"	6000 PSI

PARTS LIST

PART NO.	DESCRIPTION	QTY. REQ.	
8K-SPECIAL	SPECIAL SIDE INLET SWIVEL, 8K W. P., 2 7/8" IF RH BOX UPPER CONNECTION, 2" FEMALE HOSE CONNECTION, WITH 2 7/8" IF RH PIN LOWER CONNECTION		
8K-01	SHAFT – 2 7/8" IF RH BOX BY PIN	1	
8K-02	PACKOFF BOX 2" NPT FEMALE HOSE CONNECTION	1	
8K-03	BEARING RETAINER	2	
8K-04	BEARING	2	
8K-08	BEARING HOUSING	2	
8K-08A	SET SCREW, BEARING HOUSING	2	
8K-20	PACKING SET WITH MALE ADAPTER (LOWER PRESSURE)	OPTION	
8K-20HP	PACKING SET (HIGH PRESSURE) WITH MALE ADAPTER	2	
8K-37	LANTERN RING	2	
8K-39	PACKING SEAT RING	2	

Other sizes of connections available, please consult factory.

Option for above swivel, may affect pricing of complete swivel. Other options available, please consult factory.

